



EJB INX Enclosures

Installation: hazardous areas - Zone 1 / 2 (Gases) - Zone 21 / 22 (Dusts)

Classification: Group II - Category 2G 2D



Certificate
NEMA Type 4X



REFERENCE STANDARDS

Directive 94/9/EC (until April 19th, 2016) and Directive 2014/34/EU (from April 20th, 2016)

EXECUTION	<ul style="list-style-type: none"> ⊕ (II 2 G) Ex db IIB+H₂ T6...T3 ⊕ (II 2 G) Ex db [ia/ib] IIB+H₂ T6...T3 ⊕ (II 2 D) Ex tb IIIC T85°C...T150°C
RULES OF COMPLIANCE	EN/IEC 60079-0; EN/IEC 60079-1; EN/IEC 60079-11; EN/IEC 60079-31
EC Type-Examination Certificate	INERIS 13 ATEX 0022X
PROTECTION DEGREE	IP66
AMBIENT TEMPERATURE	-60°C ÷ +60°C
OTHER AVAILABLE CERTIFICATES	Component: INERIS 13 ATEX 9019U IECEx: IECEx INE 13_0070X INMETRO: CEPEL 12.2139 EAC: TC RU C-IT.Г508.B.01499 RINA: ELE18111CS_012 RUSSIAN MARINE CERTIFICATE (RMRS): 13.03518.315 NEC 505: UL 20141204-E302348 - Type rating NEMA 1, 12, 4 and 4X

Mechanical characteristics

Body & cover	stainless steel AISI-316 L
Screws	stainless steel AISI-316 L
Internal mounting plate	stainless steel AISI-316 L
Fixing	fixing lugs stainless steel AISI-316 L - stainless steel stirrups sp.10mm (EJB71/73 and EJB91/93)
Hinges	welded on cover and body
Opening handle	insulating material fixed on cover by stainless steel screws

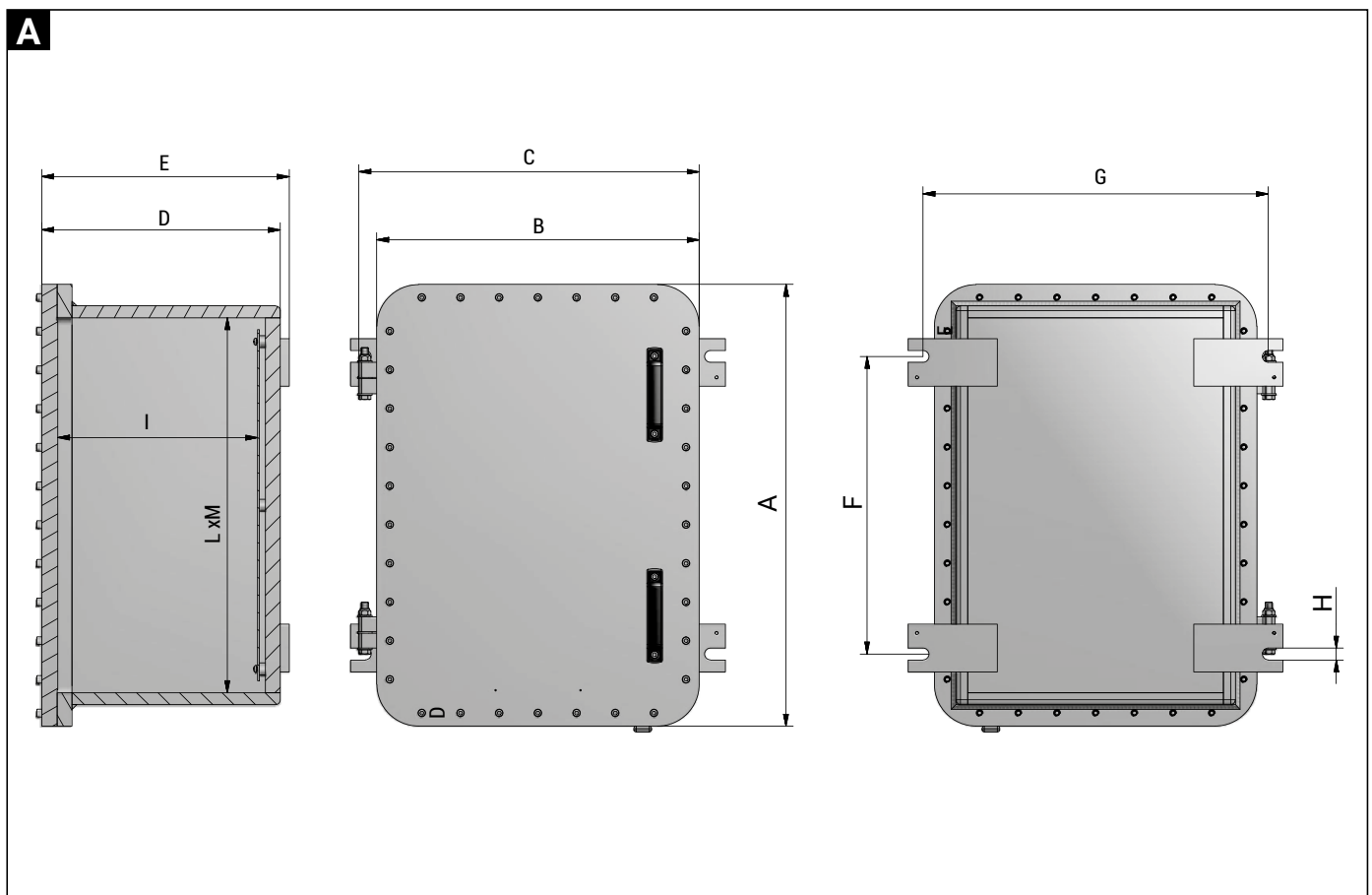
On request accessories:

- External epoxy painting (any colours)
- Internal anticondensate painting orange RAL-2004
- O-Ring gaskets on cover
- Glass windows on cover
- Drain and breather valves

EJB INX Technical features

CODICE	A [mm]	B [mm]	C [mm]	D [mm]	E [mm]	F [mm]	G [mm]	H [mm]	I [mm]	L [mm]	M [mm]	INT. PLATE X - Y [mm]	WEIGHT [Kg]	DETAIL
EJB-11 INX	175	175	197	122	132	78	171	11	90	113	113	100 - 100	11,00	A
EJB-21 INX	284	245	267	169	179	160	241	11	121	216	176	180 - 140	32,00	A
EJB-22 INX	300	200	221	222	232	195	186	11	174	229	129	180 - 100	38,00	A
EJB-23 INX	310	260	281	197	207	195	251	11	152	245	195	200 - 160	40,00	A
EJB-30 INX	415	315	337	164	174	294	299	11	113	345	245	300 - 200	53,00	A
EJB-31 INX	415	315	337	246	256	294	299	11	195	345	245	300 - 200	62,00	A
EJB-51 INX	566	366	388	256	268	360	337	13	200	487	287	450 - 250	110,00	A
EJB-61 INX	670	470	491	361	373	500	443	13	307	580	380	530 - 330	152,00	A
EJB-63 INX	670	470	491	236	248	500	443	13	182	580	380	530 - 330	140,00	A
EJB-71 INX	742	542	572	429	439	520	580	16	331	632	432	590 - 390	280,00	A
EJB-73 INX	742	542	572	311	321	520	580	16	213	632	432	590 - 390	200,00	A
EJB-91 INX	960	660	697	462	472	700	650	16	350	825	525	750 - 440	618,00	A
EJB-93 INX	960	660	697	305	315	700	650	16	193	825	525	750 - 440	573,00	A

Reference details



EJB INX Indicative quantity of terminals and relevant section

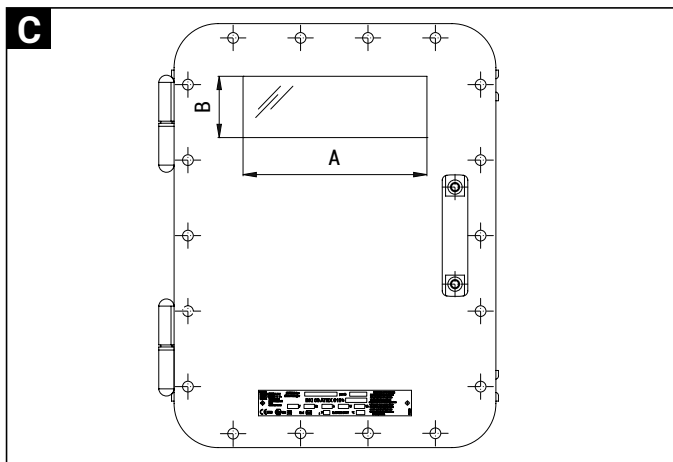
CODE	SEZ. 2,5 [sq/mm]	SEZ. 6,0 [sq/mm]	SEZ. 10,0 [sq/mm]	SEZ. 16,0 [sq/mm]	SEZ. 35,0 [sq/mm]	SEZ. 50,0 [sq/mm]	SEZ. 70,0 [sq/mm]	SEZ. 240,0 [sq/mm]	INT. PLATE X - Y [mm]
EJB-11 INX	12 x 1	8 x 1	6 x 1	4 x 1	2 x 1	-	-	-	100 - 100
EJB-21 INX	30 x 1	20 x 1	14 x 1	12 x 1	9 x 1	7 x 1	5 x 1	1 x 1	180 - 140
EJB-22 INX	30 x 1	20 x 1	14 x 1	12 x 1	9 x 1	7 x 1	5 x 1	1 x 1	180 - 100
EJB-23 INX	35 x 1	22 x 1	16 x 1	14 x 1	11 x 1	9 x 1	7 x 1	2 x 1	200 - 160
EJB-30 INX	52 x 2	32 x 2	24 x 2	20 x 2	14 x 2	12 x 1	8 x 1	4 x 1	300 - 200
EJB-31 INX	52 x 2	32 x 2	24 x 2	20 x 2	14 x 2	12 x 1	8 x 1	4 x 1	300 - 200
EJB-51 INX	80 x 2	46 x 2	36 x 2	30 x 2	22 x 2	18 x 2	16 x 1	6 x 1	450 - 250
EJB-61/63 INX	92 x 3	58 x 3	46 x 3	38 x 3	28 x 3	26 x 2	22 x 2	12 x 1	530 - 330
EJB-71/73 INX	110 x 3	70 x 3	56 x 3	46 x 3	34 x 3	28 x 2	24 x 2	12 x 1	590 - 390
EJB-91/93 INX	140 x 3	90 x 3	70 x 3	60 x 3	44 x 3	36 x 3	32 x 2	14 x 2	750 - 440



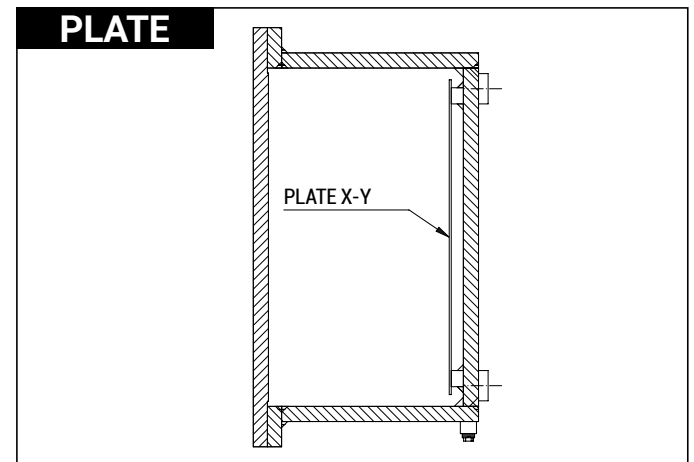
EJB INX Glass Windows on Cover

WINDOW CODE	ENCLOSURE CODE									DIMENSIONS		DETAIL
	EJB-11 INX	EJB-21 INX	EJB-22 INX	EJB-23 INX	EJB-30/31 INX	EJB-51 INX	EJB-61/63 INX	EJB-71/73 INX	EJB-91/93 INX	A [mm]	B [mm]	
F1	X	X	X	X	X	X	X	X	X	60	60	C
F2	-	X	X	X	X	X	X	X	X	75	75	C
F3	-	X	X	X	X	X	X	X	X	110	75	C
F4	-	X	X	X	X	X	X	X	-	150	75	C
F5	-	-	-	-	X	X	X	-	-	150	150	C
F6	-	-	-	-	-	X	X	-	-	300	75	C
F7	-	-	-	-	-	X	X	-	-	300	150	C
F8	-	-	-	-	-	-	X	-	-	300	300	C
F9	-	-	-	-	-	-	X	-	-	450	300	C

Reference details



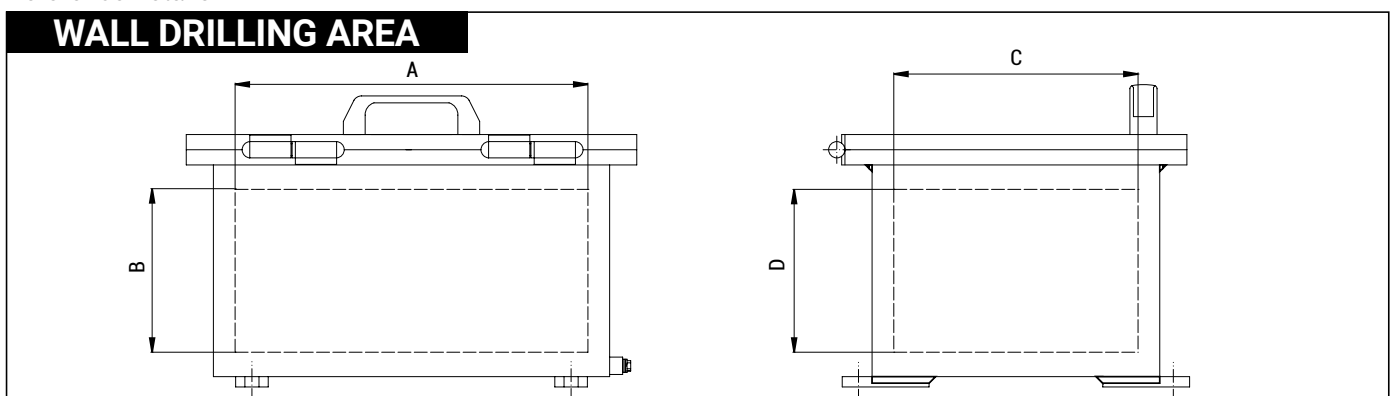
Reference details



EJB INX Body and cover enclosures drilling layout

ENCLOSURE CODE	DRILLING AREA A-B [mm]	QUANTITY ALLOWED ENTRIES FOR SIZE (from 1 to size 8)								DRILLING AREA C-D [mm]	QUANTITY ALLOWED ENTRIES FOR SIZE (from 1 to size 8)							
		1	2	3	4	5	6	7	8		1	2	3	4	5	6	7	8
EJB-11 INX	100x60	3	2	2	1	1	-	-	-	100x60	3	2	2	1	1	-	-	-
EJB-21 INX	200x90	10	7	5	3	2	2	1	-	160x90	8	5	4	3	2	1	1	-
EJB-22 INX	215x130	15	11	8	6	6	3	2	1	110x130	9	5	5	4	2	1	1	1
EJB-23 INX	215x105	11	8	6	4	3	3	2	1	165x105	9	6	6	5	2	2	1	1
EJB-30 INX	320x65	13	7	5	5	4	3	-	-	225x65	9	5	4	3	3	2	-	-
EJB-31 INX	320x150	28	18	14	11	8	6	3	2	225x150	20	12	9	8	6	5	2	1
EJB-51 INX	460x155	44	27	24	20	12	10	6	3	255x155	24	15	12	11	6	6	3	2
EJB-61 INX	550x250	72	50	36	32	21	21	14	8	350x250	48	30	24	20	12	12	8	6
EJB-63 INX	550x130	36	29	18	16	14	7	5	4	350x130	24	17	12	10	8	4	3	3
EJB-71 INX	570x270	90	55	46	39	32	21	15	10	370x270	59	35	28	25	21	12	10	6
EJB-73 INX	570x160	40	26	22	18	14	12	7	4	370x160	26	18	14	12	8	11	4	2
EJB-91 INX	745x290	112	84	65	55	40	28	23	14	440x290	70	42	35	35	24	18	13	8
EJB-93 INX	745x145	48	42	29	22	10	11	9	5	440x145	30	24	21	14	12	7	5	3

Reference details



EJB INX

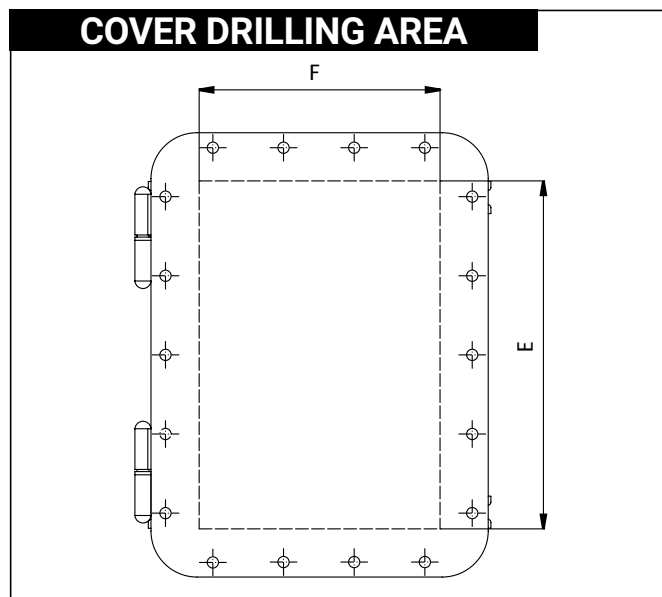
Body and cover enclosures drilling layout



Max allowed q.ty of push button and pilot light

ENCLOSURE CODE	DRILLING AREA E-F [mm]	MAX OPERATORS PERMITTED
EJB-11 INX	120x120	4
EJB-21 INX	200x155	12
EJB-22 INX	200x100	12
EJB-23 INX	215x165	16
EJB-30 INX	305x205	30
EJB-31 INX	305x205	30
EJB-51 INX	465x265	54
EJB-61 INX	575x370	56
EJB-63 INX	575x370	56
EJB-71 INX	590x390	48
EJB-73 INX	590x390	48
EJB-91 INX	800x500	54
EJB-93 INX	800x500	54

Reference details



EJB INX Threads comparison table

SIZE	UNI 6125	ISO 228/1	ASA B2.1	ISO 965/1
1	GK 1/2"	G 1/2"	1/2" NPT	M20
2	GK 3/4"	G 3/4"	3/4" NPT	M25
3	GK 1"	G 1"	1" NPT	M32
4	GK 1-1/4"	G 1-1/4"	1-1/4" NPT	M40
5	GK 1-1/2"	G 1-1/2"	1-1/2" NPT	M50
6	GK 2"	G 2"	2" NPT	M63
7	GK 2-1/2"	G 2-1/2"	2-1/2" NPT	M75
8	GK 3"	G 3"	3" NPT	M85



REMARK:

Due to the development of the national and international specifications and of the technology, the above technical characteristics showed on this bulletin can be considered as binding on our confirmation only.