

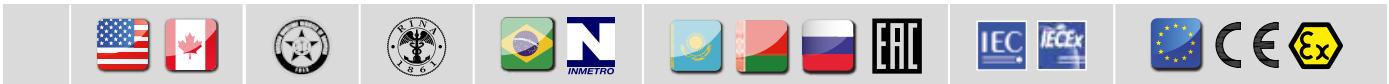
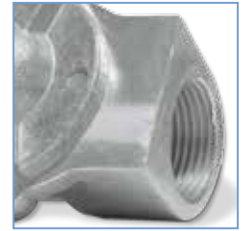
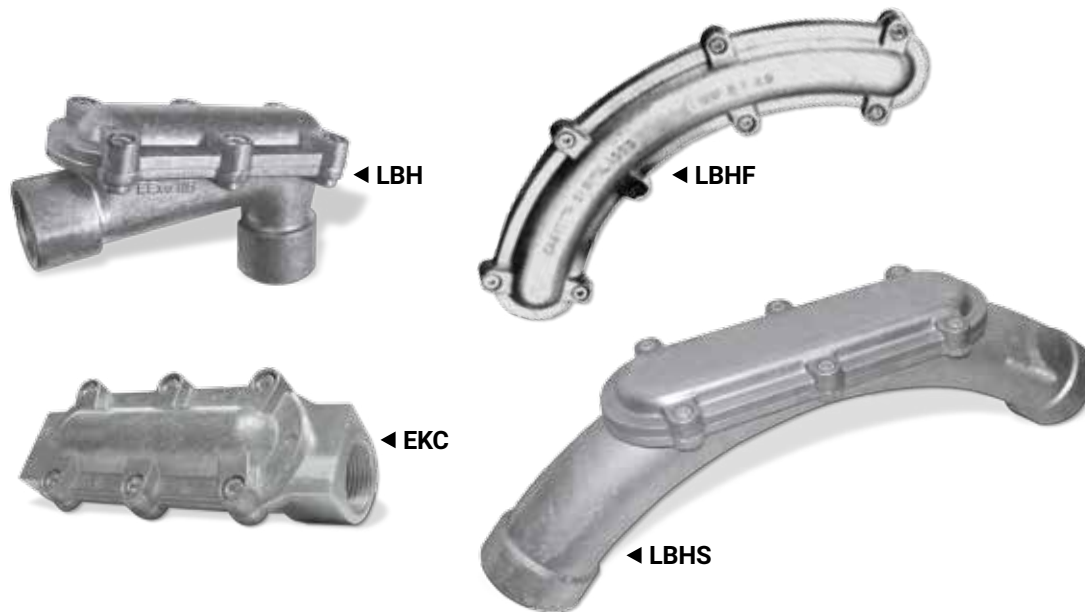


LBH-LBHF-LBHS-EKC

Open bends and pulling boxes

Installation: hazardous areas - Zone 1 / 2 (Gases) - Zone 21 / 22 (Dusts)

Classification: Group II - Category 2G 2D



REFERENCE STANDARDS

Directive 94/9/EC (until April 19th, 2016) and Directive 2014/34/EU (from April 20th, 2016)

EXECUTION	<ul style="list-style-type: none"> ⊗ II 2 G Ex d IIC Gb ⊗ II 2 G Ex e IIC Gb ⊗ II 2 D Ex t IIIC Db
RULES OF COMPLIANCE	EN/IEC 60079-0; EN/IEC 60079-1; EN/IEC 60079-7; EN/IEC 60079-31
EC Type-Examination Certificate	TÜV 12 ATEX 104523U
PROTECTION DEGREE	IP66
AMBIENT TEMPERATURE	-60°C ÷ +130°C
OTHER AVAILABLE CERTIFICATES	<ul style="list-style-type: none"> IECEx: IECEx TUN 12.0025U INMETRO: CEPEL 13.2229U EAC: TC RU C-IT.Г508.B 01624 RINA: ELE18111CS_015 RUSSIAN MARINE CERTIFICATE (RMRS): 13.03518.315 UL NEC-505: 20131204-E465038

Mechanical characteristics

Body / cover	marine grade copper free aluminum light alloy
Screws	galvanized steel

Applications

OPEN BENDS AND PULLING BOXES ARE USED FOR THE WIRING IN ELECTRICAL CONDUIT PLANTS..

PROVIDING FOR A GAP ON THE BACK IS MORE 'EASY INSPECTION AND THE INCLUSION OF ELECTRIC CABLES.

On Request Accessories:

- Different thread from standard
- Stainless steel screws
- Painting

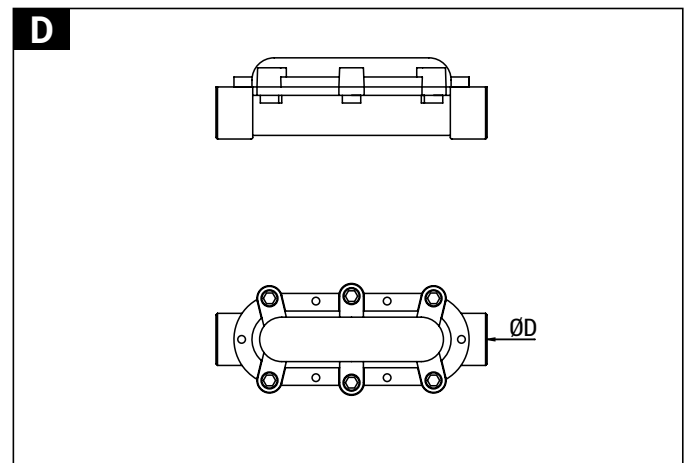
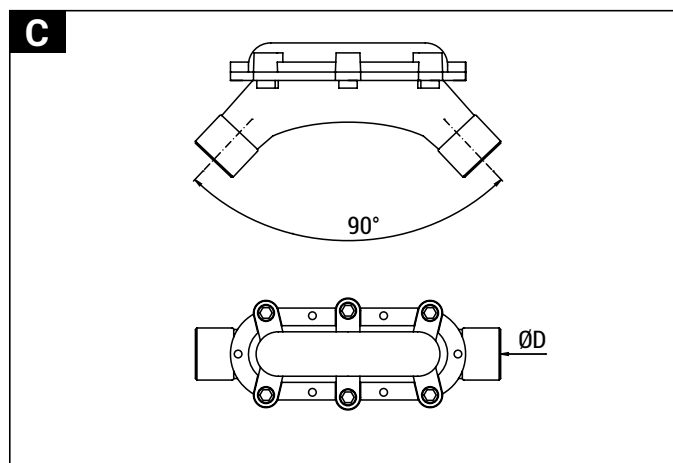
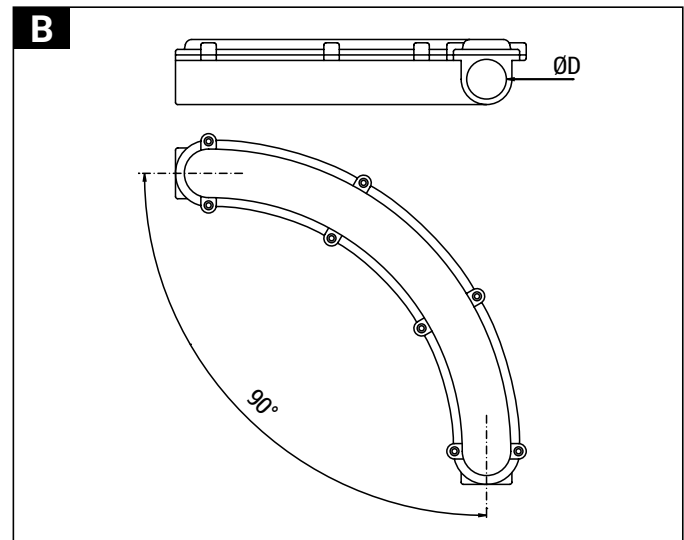
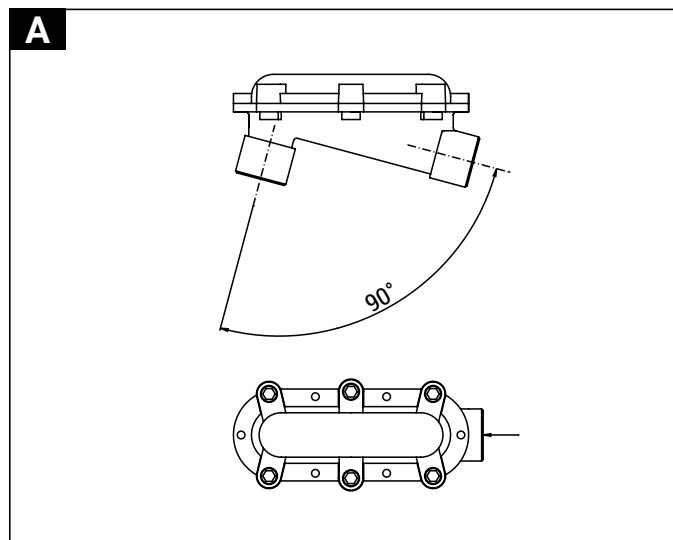
Technical Features

DETAIL "A"	DETAIL "B"	DETAIL "C"	DETAIL "D"	ØD HUBS (UNI6125 OR NPT)
TYPE	TYPE	TYPE	TYPE	
LBH2	LBHF2	LBHS2	EKC2	2 x 3/4"
LBH3	LBHF3	LBHS3	EKC3	2 x 1"
LBH4	-	-	EKC4	2 x 1-1/4"
LBH5	LBHF5	LBHS5	EKC5	2 x 1-1/2"
LBH6	LBHF6	LBHS6	EKC6	2 x 2"
LBH7	LBHF7	LBHS7	EKC7	2 x 2-1/2"
LBH8	LBHF8	LBHS8	EKC8	2 x 3"

LBH-LBHF-LBHS-EK

www.feam-ex.com

Reference Details



REMARK:

Due to the development of the national and international specifications and of the technology, the above technical characteristics showed on this bulletin can be considered as binding on our confirmation only.