

PLG - NP - EM... Conduit fittings, locknuts, bushings, drain / breather valves

Explosion Proof Electrical Equipment



Ex Conduit fittings

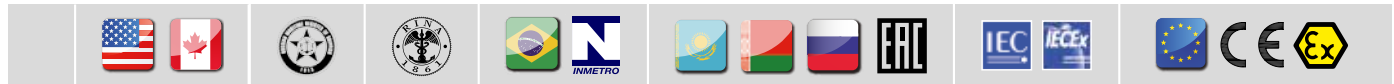
Installation: hazardous areas - Zone 1 / 2 (Gases) - Zone 21 / 22 (Dusts)

Classification: Group II - Category 2G 2D



PLG - NP - EM...

www.feam-ex.com



REFERENCE STANDARDS

Directive 94/9/EC (until April 19th, 2016) and Directive 2014/34/EU (from April 20th, 2016)

EXECUTION	<ul style="list-style-type: none"> ⊗ II 2 G Ex d IIC Gb ⊗ II 2 G Ex e IIC Gb ⊗ II 2 D Ex b IIIC Db
RULES OF COMPLIANCE	EN/IEC 60079-0; EN/IEC 60079-1; EN/IEC 60079-7; EN/IEC 60079-31
EC Type-Examination Certificate	TÜV 12 ATEX 104523U
PROTECTION DEGREE	IP66
AMBIENT TEMPERATURE	-60°C ÷ +130°C
OTHER AVAILABLE CERTIFICATES	IECEx: IECEx TUN 12.0025U INMETRO: CEPEL 13.2219U (plug) CEPEL 13.2221U (drain breather valve) CEPEL 13.2225U (nipples and coupling) CEPEL 13.2227U (elbows) EAC: TC RU C-IT.ГБ08.В 01624 RINA: ELE18111CS_015 RUSSIAN MARINE CERTIFICATE (RMRS): 13.03518.315 UL NEC-505: 20131204-E465038

(1) REMARK: locknuts DL type and bushings TB-DBT type are not covered by ex certificate

Mechanical characteristics

PLUGS - LOCKNUTS		NIPPLES - COUPLINGS	
Material - plugs	marine grade copper free aluminum light alloy - galvanized steel - stainless steel - nichel plated brass	Material	galvanized steel - stainless steel (nipples only)
Material - locknuts	galvanized steel - stainless steel nichel plated brass - aluminium		
ELBOWS - BUSHINGS		DRAIN/BREATHER VALVES	
Material	marine grade copper free aluminum light alloy - galvanized steel	Material	stainless steel AISI 316L
Screws	stainless steel (DBT only)	Gasket	silicon rubber

On Request Accessories:

- Different threads from standard
- Different metal materials from standard



Technical Features

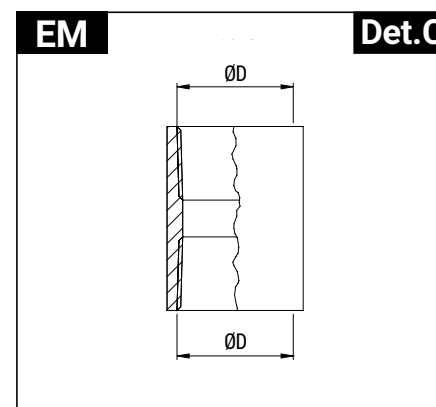
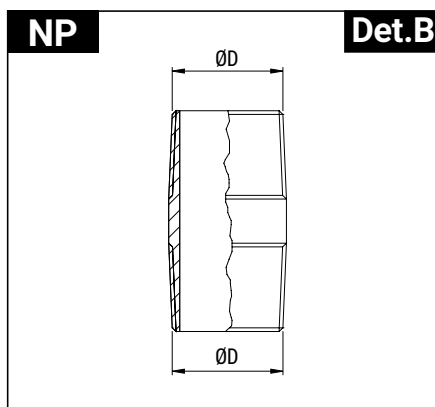
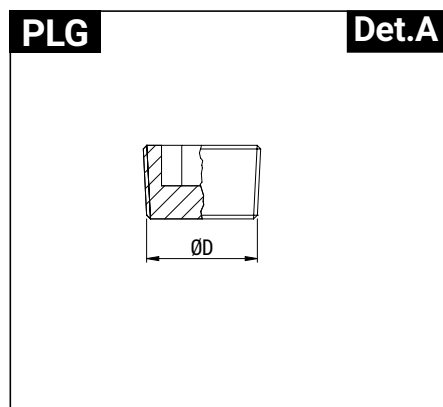
PLG - NP - EM...

www.feam-ex.com

DETAIL "A"	
MALE PLUGS	
TYPE	ØD
PLG1	1/2"
PLG2	3/4"
PLG3	1"
PLG4	1-1/4"
PLG5	1-1/2"
PLG6	2"
PLG7	2-1/2"
PLG8	3"

DETAIL "B"	
NIPPLES	
TYPE	ØD
NP1	1/2"
NP2	3/4"
NP3	1"
NP4	1-1/4"
NP5	1-1/2"
NP6	2"
NP7	2-1/2"
NP8	3"

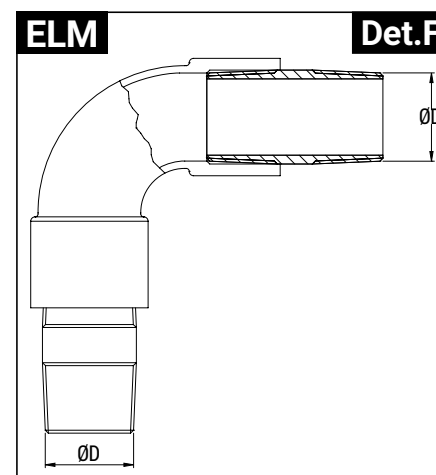
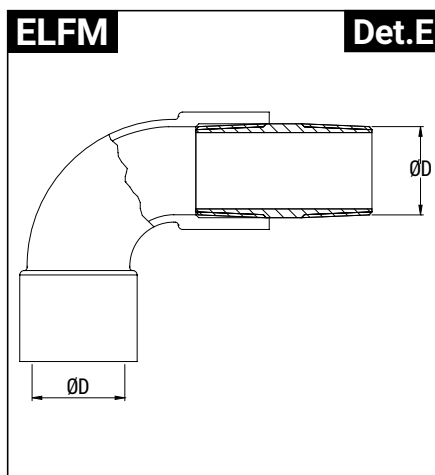
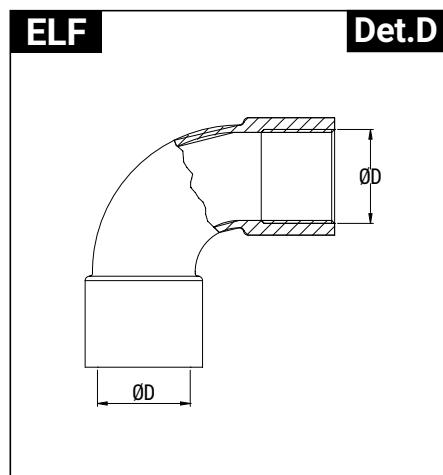
DETAIL "C"	
COUPLING	
TYPE	ØD
EM1	1/2"
EM2	3/4"
EM3	1"
EM4	1-1/4"
EM5	1-1/2"
EM6	2"
EM7	2-1/2"
EM8	3"



DETAIL "D"	
90deg ELBOWS FEMALE - FEMALE	
TYPE	ØD
ELF1	1/2"
ELF2	3/4"
ELF3	1"
ELF4	1-1/4"
ELF5	1-1/2"
ELF6	2"
ELF7	2-1/2"
ELF8	3"

DETAIL "E"	
90deg ELBOWS FEMALE - MALE	
TYPE	ØD
ELFM1	1/2"
ELFM2	3/4"
ELFM3	1"
ELFM4	1-1/4"
ELFM5	1-1/2"
ELFM6	2"
ELFM7	2-1/2"
ELFM8	3"

DETAIL "F"	
90deg ELBOWS MALE - MALE	
TYPE	ØD
ELM1	1/2"
ELM2	3/4"
ELM3	1"
ELM4	1-1/4"
ELM5	1-1/2"
ELM6	2"
ELM7	2-1/2"
ELM8	3"





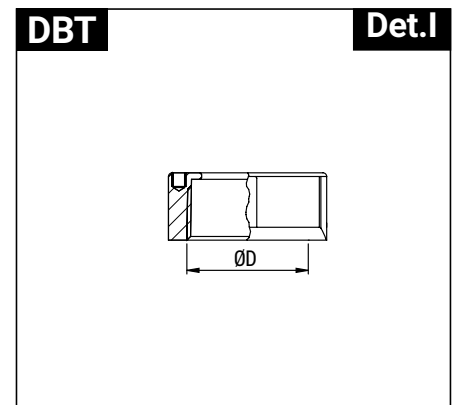
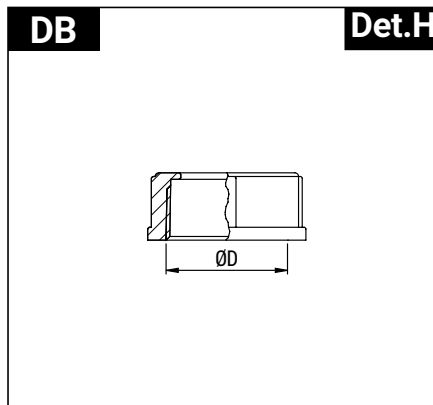
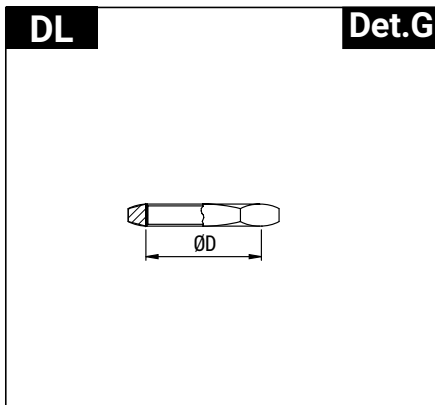
Technical Features

DETAIL "G"	
LOCKNUTS (*)	
TYPE	ØD
DL1	1/2"
DL2	3/4"
DL3	1"
DL4	1-1/4"
DL5	1-1/2"
DL6	2"
DL7	2-1/2"
DL8	3"
DL10	4"

DETAIL "H"	
BUSHINGS (*)	
TYPE	ØD
DB1	1/2"
DB2	3/4"
DB3	1"
DB4	1-1/4"
DB5	1-1/2"
DB6	2"
DB7	2-1/2"
DB8	3"
DB10	4"

DETAIL "I"	
BUSHINGS WITH EARTH SCREWS (*)	
TYPE	ØD
DBT1	1/2"
DBT2	3/4"
DBT3	1"
DBT4	1-1/4"
DBT5	1-1/2"
DBT6	2"
DBT7	2-1/2"
DBT8	3"
DBT10	4"

(*) **REMARK:** locknuts DL type and bushings TB-DBT type are not covered by ex certificate.



DETAIL "L"	
DRAIN/BREATHER VALVE FOR Ex d... ENCLOSURES	
TYPE	ØD
ECD1MX	M20

DETAIL "M"	
DRAIN/BREATHER VALVE FOR Ex d... ENCLOSURES	
TYPE	ØD
ECD1NX	1/2" NPT

DETAIL "N"	
DRAIN/BREATHER VALVE FOR ESA/ESX ENCLOSURES	
TYPE	ØD
ECDE	M20

