



# ETH9... – S2

## Acoustic signalers

Ex Acoustic signalers

**Installation:** hazardous areas - Zone 1 / 2 (Gases) - Zone 21 / 22 (Dusts)

**Classification:** Gruppo II - Categoria 2G 2D



◀ ETH9



◀ S2



### REFERENCE STANDARDS

#### ACUOSTIC SIGNALERS ETH9...

**Directive 94/9/EC (until April 19th, 2016) and Directive 2014/34/EU (from April 20th, 2016)**

EXECUTION	⊕ II 2 G Ex d IIC T6 Gb ⊕ II 2 D Ex tb IIIC T85°C Db
RULES OF COMPLIANCE	EN/IEC 60079-0; EN/IEC 60079-1; EN/IEC 60079-31
EC Type-Examination Certificate	INERIS 15 ATEX 0012X
PROTECTION DEGREE	IP66
AMBIENT TEMPERATURE	-60°C ÷ +60°C
OTHER AVAILABLE CERTIFICATES	IECEx: IECEx INE 15_0013X EAC: TC RU C-IT.Г508.B.01323 RUSSIAN MARINE CERTIFICATE (RMRS): 13.03520.315

#### ACUOSTIC SIGNALERS S2...

**Directive 94/9/EC (until April 19th, 2016) and Directive 2014/34/EU (from April 20th, 2016)**

EXECUTION	II 2 G Ex d IIC T5 II 2 D Ex tD A21 IIIC T100°C
RULES OF COMPLIANCE	EN 50014: 1997 + A1 and A2; EN 50018:2000 + A1; EN 50281-1-1:1998 + A1
EC Type-Examination Certificate	INERIS 05 ATEX 0041X
PROTECTION DEGREE	IP66
AMBIENT TEMPERATURE	-20°C ÷ +55°C
OTHER AVAILABLE CERTIFICATES	EAC: TC RU C-IT.Г508.B.01323 (-60°C ÷ +60°C) RUSSIAN MARINE CERTIFICATE (RMRS): 13.03520.315

#### Mechanical characteristics

Body	marine grade copper free aluminium light alloy
Cover	marine grade copper free aluminium light alloy
Screws	stainless steel

#### On request accessories:

- External epoxy painting (any colours)
- Threaded cable entry different than standard

# ETH9... - S2

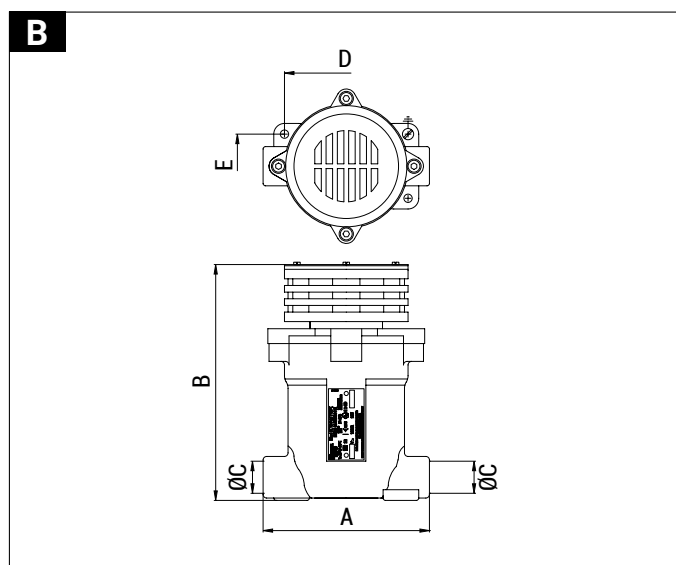
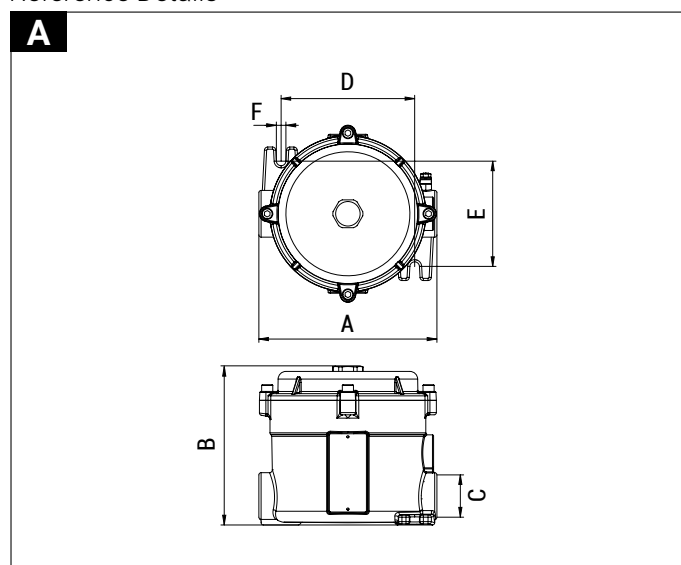
## Technical Features



CODE	A [mm]	B [mm]	ØC [mm]	D [mm]	E [mm]	F [mm]	TEMPERATURE CLASS (GAS)	TEMPERATURE CLASS (DUSTS)	WEIGHT [Kg]	DETAIL
ETH9	160	143	NPT 3/4"	120	95	9	T6 (-20°C / +40°C)	T85°C (Ta -20°C / +40°C)	2	A
S2...	145	203	NPT 3/4"	104	54	Ø7	T5 (-20°C / +55°C)	T100°C (Ta -20°C / +55°C)	2,6	B

TYPE	VOLTAGE	CONSUMPTION	DUTY	SOUND INTENSITY [db]
ETH9#012AC	12V - 50/60Hz	13VA	CONTINUOUS	80
ETH9#024AC	24V - 50/60Hz	13VA	CONTINUOUS	80
ETH9#048AC	48V - 50/60Hz	13VA	CONTINUOUS	80
ETH9#110AC	110V - 50/60Hz	13VA	CONTINUOUS	80
ETH9#230AC	230V - 50/60Hz	13VA	CONTINUOUS	80
ETH9#012DC	12V - DC	8VA	CONTINUOUS	80
ETH9#024DC	24V - DC	8VA	CONTINUOUS	80
ETH9#048DC	48V - DC	8VA	CONTINUOUS	80
ETH9#110DC	110V - DC	8VA	CONTINUOUS	80
S2V12CA	12V - AC/DC	90W	S4-60% 6 avv/h	100
S2V24CA	24V - AC/DC	90W	S4-60% 6 avv/h	100
S2V48CA	48V - AC/DC	90W	S4-60% 6 avv/h	100
S2V110CA	110V - AC/DC	90W	S4-60% 6 avv/h	100
S2V230CA	230V - AC/DC	90W	S4-60% 6 avv/h	100

### Reference Details



### REMARK:

Due to the development of the national and international specifications and of the technology, the above technical characteristics showed on this bulletin can be considered as binding on our confirmation only.