

FLOODLIGHTS FOR DISCHARGE LAMPS

Explosion Proof Electrical Equipment



Ex Lighting

SFDN

Installation: hazardous areas - Zone 2 (Gases) - Zone 22 (Dusts)
Classification: Group II - Category 3G 3D

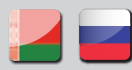
SFDN



Asymmetric

Symmetric

Concentrating



	FLOODLIGHT			
	ATEX 94/9/EC	IEC Ex	IN METRO	GOST-K
EXECUTION	⊗ II 3 G Ex nR II T3 ⊗ II 3 D Ex tD A22 T200°C	Ex nR II T3 Ex tD A22 T200°C	Ex nR II T3 Ex tD A22 T200°C	2Ex nR II T3 Ex tD A22 T200°C
AMBIENT TEMP.	-20°C ÷ +60°C	-20°C ÷ +60°C	-20°C ÷ +60°C	-40°C ÷ +60°C
PROTECTION DEGREE	IP66	IP66	IP66	IP66
CERTIFICATE REF.	IMQ 08 ATEX 019	-	-	POCC IT. ME92.B02923
RULES OF COMPLIANCE	EN 60079-0; EN 60079-15; EN 61241-0; EN 61241-1;	IEC 60079-0:2007-10; IEC 60079-1:2007-04; IEC 60079-31:2008-11;	ABNT NBR IEC 60079-0:2007-10; ABNT NBR IEC 60079-1:2007-04; ABNT NBR IEC 61242-31:2008-11;	ГОСТ Р МЭК 60079-0:2011; ГОСТ Р МЭК 61241-0:2007; ГОСТ Р МЭК 61241-1:2004;

Mechanical characteristics

Body	marine grade copper free aluminum
Diffuser	tempered front glass
Support	steel bracket with rotation-proof system
Reflector	anodized and polished 99,85 pure aluminum internal optic
Painting	thermosetting polyester powder resistant to atmospheric agents and corrosion grey RAL 9006 colour
Screws	stainless steel
Gaskets	pure silicon heat resistance
Cable entry	complete with cable gland
Internal optic	(S) symmetric optic - (A)asymmetric optic - (C) concentrating beam optic

Electrical characteristics

Power supply	conventional ballast 230V - 50Hz (P.F. CORRECTED - $\cos \rho \geq 0,95$)
Lampholders	porcelain E40 / E27 size
Internal wiring	high-temperature resistant silicon rubber insulation cables
Terminals	suitable up to 4 sq/mm cables

ON REQUEST ACCESSORIES:

- Control gear with voltage supply different than standard
- Threaded cable entry different than standard

SFDN Technical data

CODE	LAMP	TEMPERATURE CLASS (GAS)	TEMPERATURE CLASS (DUSTS)	LAMPHOLDER SIZE	CABLE ENTRY WITH CABLE GLAND	DETAIL
------	------	-------------------------	---------------------------	-----------------	------------------------------	--------

FLOODLIGHT FOR HIGH PRESSURE MERCURY VAPOUR LAMP - POWER SUPPLY 230V 50Hz

SFDN#250HG-(1)	250 W	T3 (Ta = -20°C / +60°C)	T 200°C	E-40	1 x PCE M20	A
SFDN#400HG-(1)	400 W	T3 (Ta = -20°C / +60°C)	T 200°C	E-40	1 x PCE M20	A

FLOODLIGHT FOR METAL HALIDE LAMP - POWER SUPPLY 230V 50Hz

SFDN#150MH-(1)	150 W	T3 (Ta = -20°C / +60°C)	T 200°C	E-40	1 x PCE M20	A
SFDN#250MH-(1)	250 W	T3 (Ta = -20°C / +60°C)	T 200°C	E-40	1 x PCE M20	A
SFDN#400MH-(1)	400 W	T3 (Ta = -20°C / +60°C)	T 200°C	E-40	1 x PCE M20	A

FLOODLIGHT FOR HIGH PRESSURE SODIUM LAMP - POWER SUPPLY 230V 50Hz

SFDN#150HPNA-(1)	150 W	T3 (Ta = -20°C / +60°C)	T 200°C	E-40	1 x PCE M20	A
SFDN#250HPNA-(1)	250 W	T3 (Ta = -20°C / +60°C)	T 200°C	E-40	1 x PCE M20	A
SFDN#400HPNA-(1)	400 W	T3 (Ta = -20°C / +60°C)	T 200°C	E-40	1 x PCE M20	A

(1) INTERNAL OPTICAL BEAM: (S) SYMMETRIC BEAM - (A) ASYMMETRIC BEAM - (C) CONCENTRATING BEAM

SAMPLE: SFDN#400MH-S = FLOODLIGHT 400W METAL HALIDE WITH SYMMETRIC OPTICAL BEAM

SFDN Technical features

CODE	A [mm]	B [mm]	C [mm]	D [mm]	WEIGHT [Kg]	CABLE ENTRY	DETAIL
SFDN#250HG-(1)	544	461	430	180	8,80	1 x PCE M20	A
SFDN#400HG-(1)	544	461	430	180	9,10	1 x PCE M20	A
SFDN#150MH-(1)	544	461	430	180	9,50	1 x PCE M20	A
SFDN#250MH-(1)	544	461	430	180	9,70	1 x PCE M20	A
SFDN#400MH-(1)	544	461	430	180	11,00	1 x PCE M20	A
SFDN#150HPNA-(1)	544	461	430	180	10,50	1 x PCE M20	A
SFDN#250HPNA-(1)	544	461	430	180	11,10	1 x PCE M20	A
SFDN#400HPNA-(1)	544	461	430	180	12,30	1 x PCE M20	A

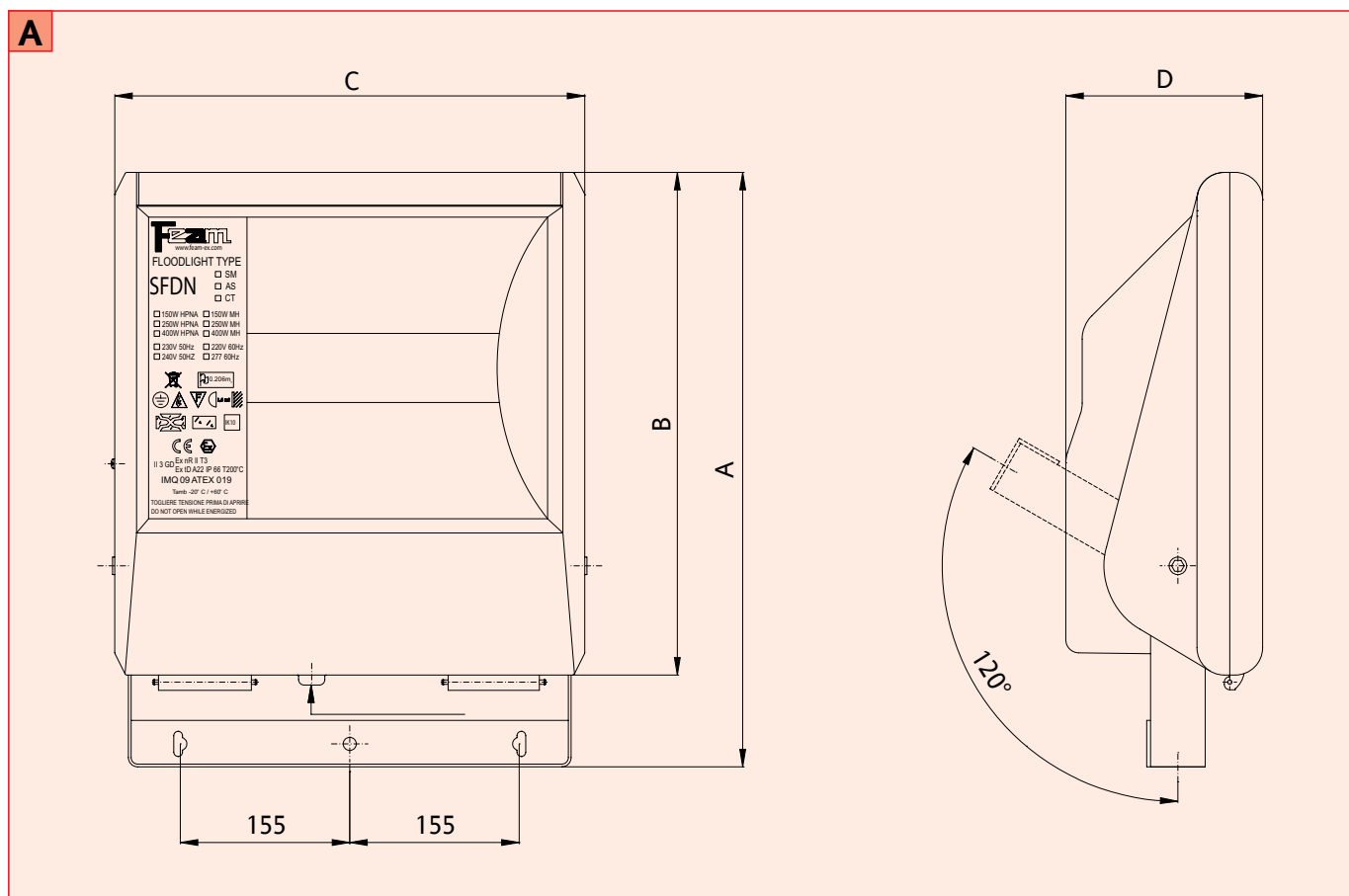
(1) INTERNAL OPTICAL BEAM: (S) SYMMETRIC BEAM - (A) ASYMMETRIC BEAM - (C) CONCENTRATING BEAM

SAMPLE: SFDN#400MH-S = FLOODLIGHT 400W METAL HALIDE WITH SYMMETRIC OPTICAL BEAM

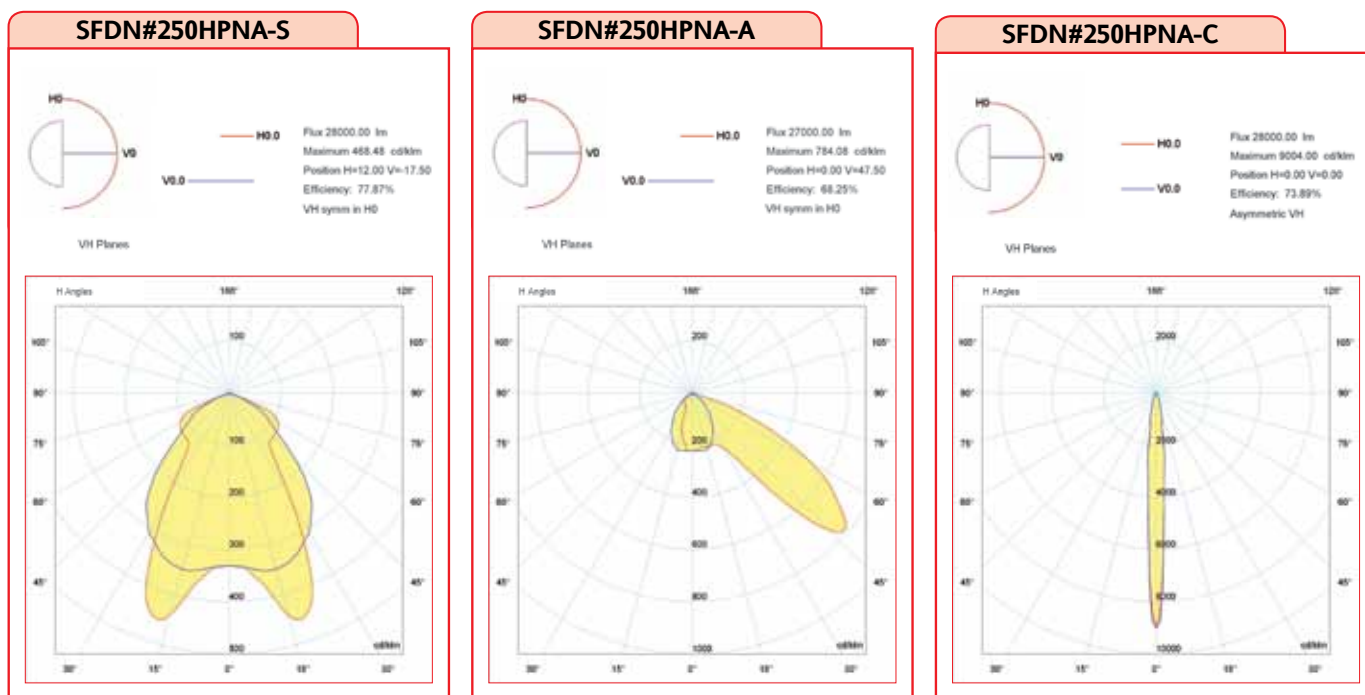
SFDN Technical features

SFDN

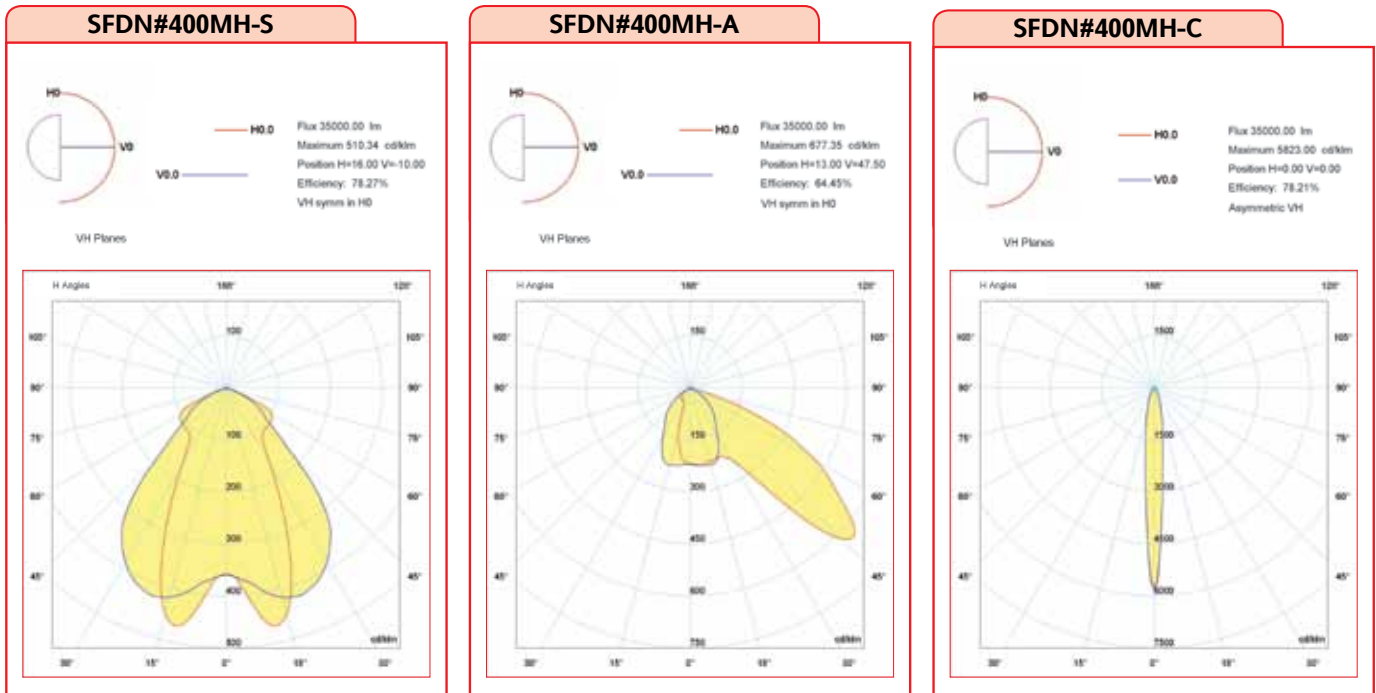
Reference details



SFDN Polar diagrams – photometric data



SFDN Polar diagrams – photometric data

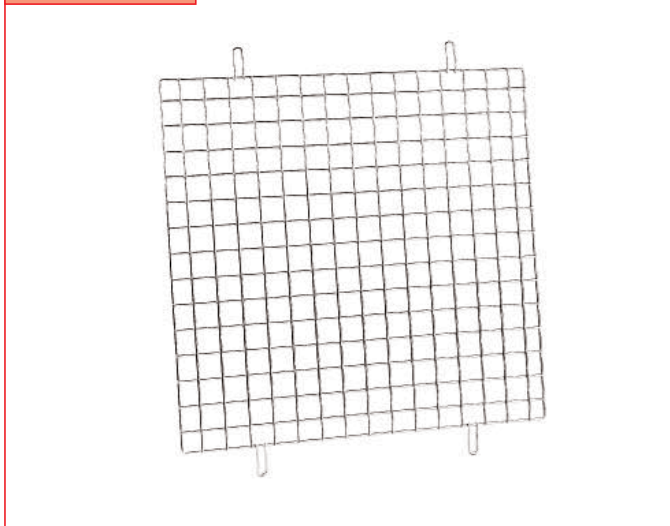


SFDN On request accessories

CODE	DESCRIPTION	MATERIAL
20303.0099	PROTECTION GRID	ALUMINIUM
20303.0100	POLE ADAPTER FOR DIA 40÷60MM	PAINTED STEEL

Protection grid

20303.0099



Pole adapter

20303.0100



REMARK:

Due to the development of the national and international specifications and of the technology, the above technical characteristics showed on this bulletin can be considered as binding on our confirmation only.