



# EVAC-LED

## Lighting fixtures for led lamps

**Installation:** hazardous areas - Zone 1 / 2 (Gases) - Zone 21 / 22 (Dusts)

**Classification:** Group II - Category 2G 2D



### REFERENCE STANDARDS

**Directive 94/9/EC (until April 19th, 2016) - Directive 2014/34/EU (from April 20th, 2016)**

EXECUTION	⊕ II 2 G Ex d IIC T5 / T4 / T3 Gb ⊕ II 2 D Ex tb IIIC T85/105/160°C Db
RULES OF COMPLIANCE	EN/IEC 60079-0; EN/IEC 60079-1; EN/IEC 60079-31;
EC Type-Examination Certificate	INERIS 01 ATEX 0054X
PROTECTION DEGREE	IP66
AMBIENT TEMPERATURE	-60°C ÷ +60°C
OTHER AVAILABLE CERTIFICATES	IECEX: IECEX INE 13.0075X INMETRO: CEPEL 14.2311X EAC: TC RU C-IT.Γ508.B.01342 RINA: ELE18111CS_015 RUSSIAN MARINE CERTIFICATE (RMRS): 13.03516.315

### Mechanical characteristics

Body	marine grade copper free aluminium (control gear & lamp body)
Globe	high-temperature resistant borosilicate glass
Painting	external epoxy powders grey RAL-9006 colour
Screws	external stainless steel
Gaskets	silicon rubber
Cable entry	2 Threaded hole dia. 1/2" NPT (EVAC201-32LED) 1 Threaded hole dia. 1" NPT (with pole mounting kit - EVAC501-48LED) 2 Threaded holes 3/4" NPT (with universal bracket - EVAC501-48LED)

### Electrical characteristics

Power supply	120 or 230 or 277 Vac 700mA, frequency 50÷60Hz
Lamp type	4 LED by 8W - minimum brightness 3000lm approx., led type "Cold-white" - EFFICIENCY>83% Equivalent to 150W MH 6 LED by 8W - minimum brightness 5200lm approx., led type "Cold-white" - EFFICIENCY>83% Equivalent to 250W MH
Internal wiring	High-temperature resistant silicon rubber insulation cables

### On Request Accessories:

- External painting colour on request
- Threaded cable entry different than standard



# EVAC-LED Technical data

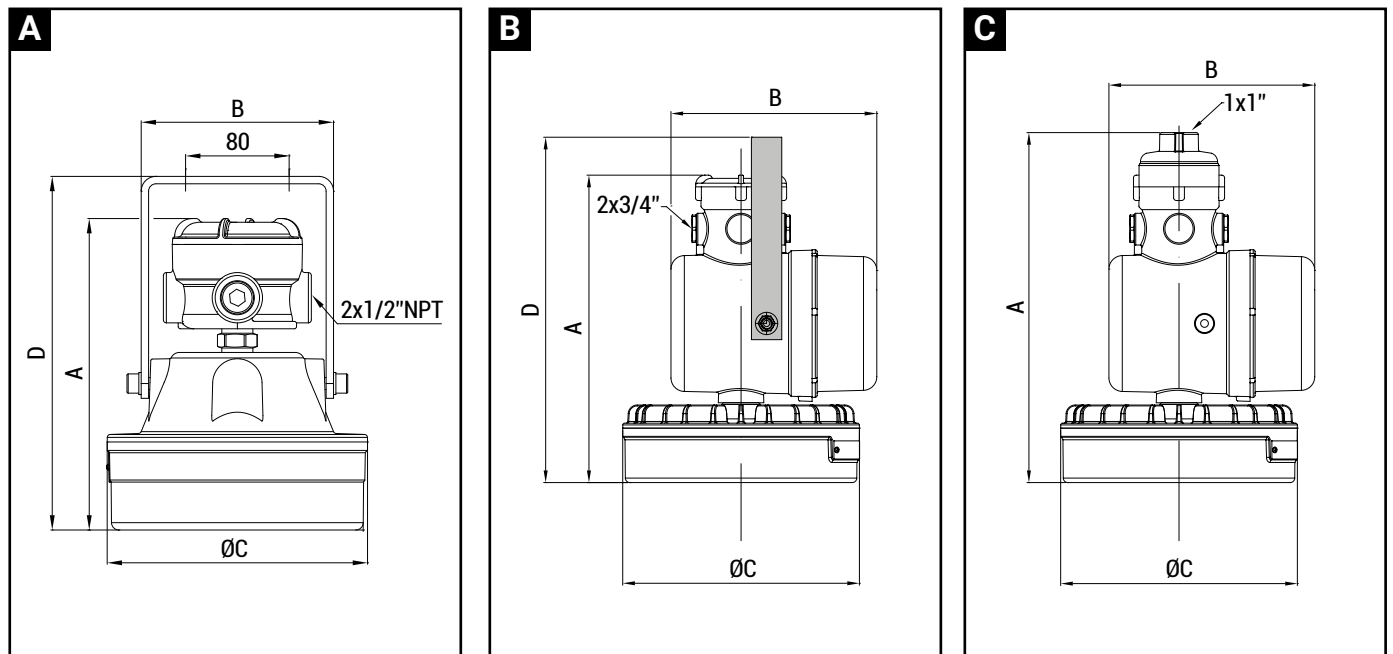
CODE	LAMP TYPE	TEMPERATURE CLASS (GAS)	TEMPERATURE CLASS (DUSTS)	NUMBER OF LED	POWER [W]	CABLE ENTRY SIZE
<b>LED LIGHTING FIXTURES - POWER SUPPLY 120 or 230 or 277 Vac 700mA 50/60Hz</b>						
EVAC201-32LED	POWER LED	T4 / T5	T 85°C / T 105°C	4	32W	2 x 1/2"
<b>LED LIGHTING FIXTURES - POWER SUPPLY 120 or 230 or 277 Vac 700mA 50/60Hz</b>						
EVAC501-48LED	POWER LED	T3	T 160°C	6	48W	2 x 3/4" 1 x 1"

Note: LED lens lamp included along with lighting fixtures

## EVAC-LED Technical features

CODE	A [mm]	B [mm]	C [mm]	D [mm]	WEIGHT [Kg]	CABLE ENTRY	DETAIL
EVAC201-32LED	210	130	176	239	4,50	2 x 1/2"	A
EVAC501-48LED	343	225	261	360	8,00	2 x 3/4"	B
EVAC501-48LED	377	225	261	-	7,80	1 x 1"	C

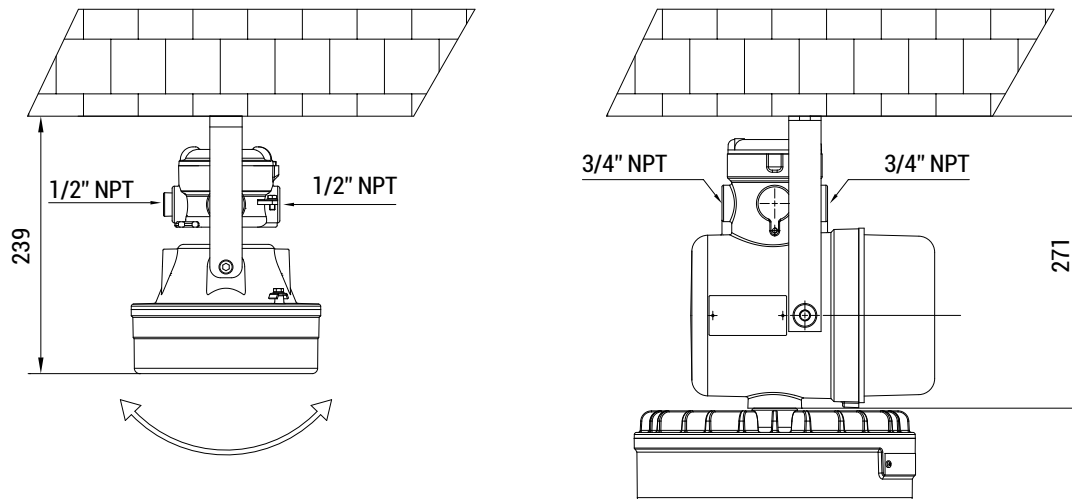
### Reference details



## EVAC-LED Installation and mounting details

### Ceiling mounting

#### type 1

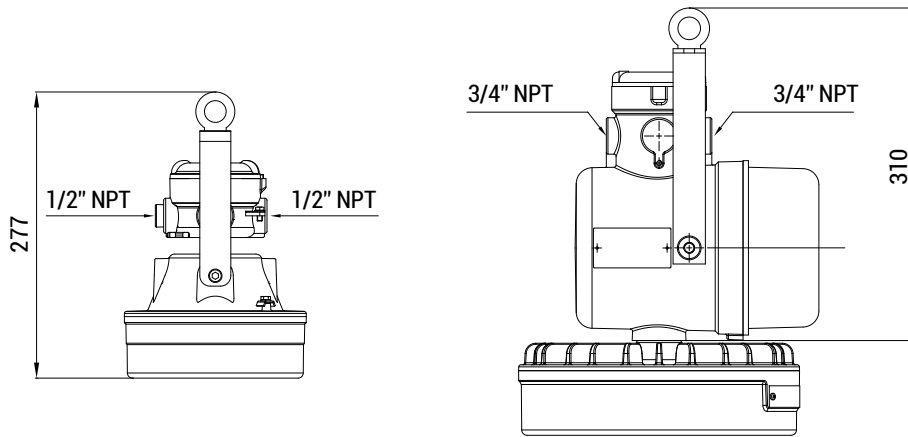


Bracket already included as standard



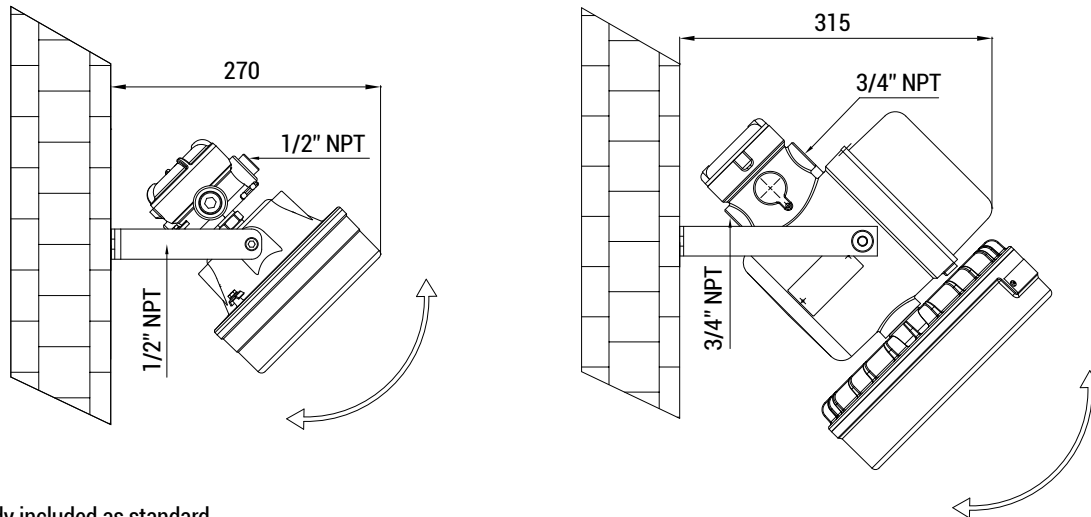
### Pendant mounting

#### type 2



### Wall/structure mounting

#### type 3



Bracket already included as standard

### Pole Mounting – Without add sealing fitting

INTERNAL DETAIL - POLE MOUNTING

CABLE GLANDS ISO-M25 TYPE PNA#02MON

type 4

type 5

