

EVF Lighting fixtures for fluorescent tube lamps and LED

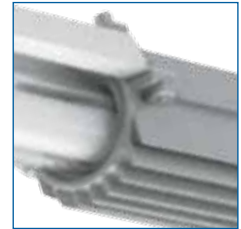
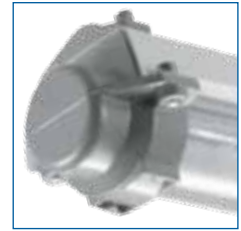
Explosion Proof Electrical Equipment



Ex Lighting

Installation: hazardous areas - Zone 1 / 2 (Gases) - Zone 21 / 22 (Dusts)

Classification: Group II - Category 2G 2D



REFERENCE STANDARDS

Directive 94/9/EC (until April 19th, 2016) and Directive 2014/34/EU (from April 20th, 2016)

EXECUTION	⊕ II 2G Ex d IIC T6 Gb ⊕ II 2D Ex tb IIIC T85°C Db
RULES OF COMPLIANCE	EN/IEC 60079-0; EN/IEC 60079-1; EN/IEC 60079-31;
EC Type-Examination Certificate	INERIS 12 ATEX 023X
PROTECTION DEGREE	IP66
AMBIENT TEMPERATURE	-20°C ÷ +60°C
OTHER AVAILABLE CERTIFICATES	IECEx: IECEx INE 13.0055X INMETRO: CEPEL 13.2291X RUSSIAN MARINE CERTIFICATE (RMRS): 13.03516.315 (-60°C ÷ +60°C)

Mechanical characteristics

Body	marine grade copper free aluminium (control gear & emergency unit)
Tubes	high-temperature resistant borosilicate glass tube
Painting	external epoxy powders grey RAL-9006 colour
Screws	external stainless steel
Gaskets	silicon rubber O-Ring
Reflectors	white stove enamelled sheet steel
Cable entry	3/4" NPT size threaded

Electrical characteristics for fluorescent lamps

Power supply	electron ballast 110÷260V AC/DC 50/60 Hz (p.f.corrected - cos ρ ≥ 0,98)
Lampholders	bi-pin g13 cap
Terminals	suitable up to 4sq/mm cables
Emergency unit	emergency unit composed of inverter charger and Ni-Cd battery pack 4A/h 4.8v. autonomy 120min. LED power-on indicating lamp provided - (inverter) 220÷240V 50/60Hz



EVF Features

Electrical characteristics for LED lamps

Power supply	100÷240Vac 50/60Hz (cos ρ ≥ 0,98)
Lampholders	bi-pin G13 cap
Terminals	suitable up to 4sq/mm cables

On Request Accessories:

- Pole mounting kit complete with stainless steel hardware
- Ceiling mounting kit complete with stainless steel hardware
- Pendant mounting kit complete with stainless steel hardware
- Wall/Structure mounting kit complete with stainless steel hardware
- Galvanized steel wire protection guard
- Stainless steel wire protection guard
- Stainless steel reflectors
- External painting colour on request
- Electronic ballast with voltage supply different than standard

EVF Technical data

CODE	LAMP	TEMPERATURE CLASS (GAS)	TEMPERATURE CLASS (DUSTS)	LAMPHOLDER	CABLE ENTRY	EMERGENCY UNIT	AUTONOMY	DETAIL
------	------	-------------------------	---------------------------	------------	-------------	----------------	----------	--------

FLUORESCENT LIGHTING FIXTURES FOR SINGLE LAMP - POWER SUPPLY 110÷260V - 50/60Hz

EVF118EL	1 x 18W	T6	T 85°C	G13	2 x 3/4"	-	-	A
EVF136EL	1 x 36W	T6	T 85°C	G13	2 x 3/4"	-	-	A

EMERGENCY FLUORESCENT LIGHTING FIXTURES FOR SINGLE LAMP - POWER SUPPLY (inverter) 220÷240V 50/60Hz

EVF118ELME	1 x 18W	T6	T 85°C	G13	2 x 3/4"	4.8 V - 4Ah	120 min.	B
EVF136ELME	1 x 36W	T6	T 85°C	G13	2 x 3/4"	4.8 V - 4Ah	120 min.	B

LED LIGHTING FIXTURES FOR SINGLE LAMP - POWER SUPPLY 100÷240V - 50/60Hz

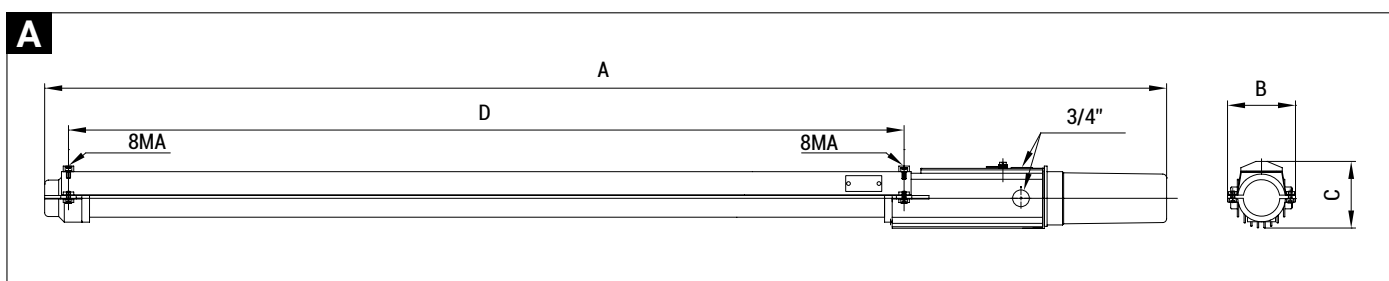
CODE	LAMP	TEMPERATURE CLASS (GAS)	TEMPERATURE CLASS (DUSTS)	LAMPHOLDER	CABLE ENTRY	DIMENSIONALLY EQUIVALENT TO	DETAIL
EVF19LED	1 x 9W	T6	T 85°C	G13	2 x 3/4"	18W fluorescent	A
EVF120LED	1 x 20W	T6	T 85°C	G13	2 x 3/4"	36W fluorescent	A

Note: LED tube lamps included along with lighting fixtures

EVF Technical features

CODE	A [mm]	B [mm]	C [mm]	D [mm]	WEIGHT [Kg]	CABLE ENTRY	DETAIL
EVF118EL	1005	98	89	590	4,50	2 x 3/4"	A
EVF19LED	865	98	89	590	4,00	2 x 3/4"	A
EVF136EL	1600	98	89	1190	6,90	2 x 3/4"	A
EVF120LED	1460	98	89	1190	6,40	2 x 3/4"	A

Reference details

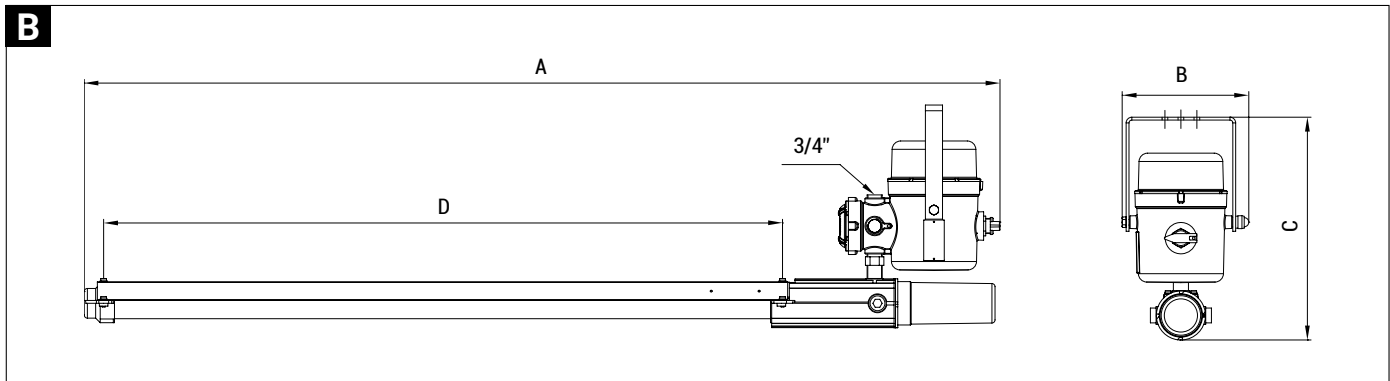




EVF Technical features

CODE	A [mm]	B [mm]	C [mm]	D [mm]	WEIGHT [Kg]	CABLE ENTRY	DETAIL
EVF118ELME	1005	222	390	590	10,00	2 x 3/4"	B
EVF136ELME	1600	222	390	1202	12,00	2 x 3/4"	B

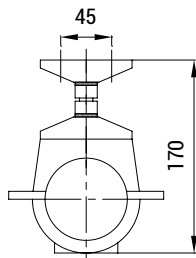
Reference details



EVF Installation and mounting details

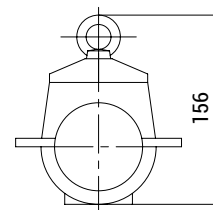
Ceiling mounting

type 1



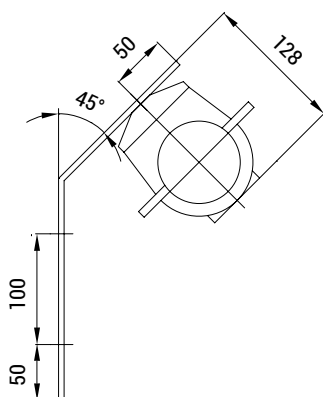
Pendant mounting

type 2



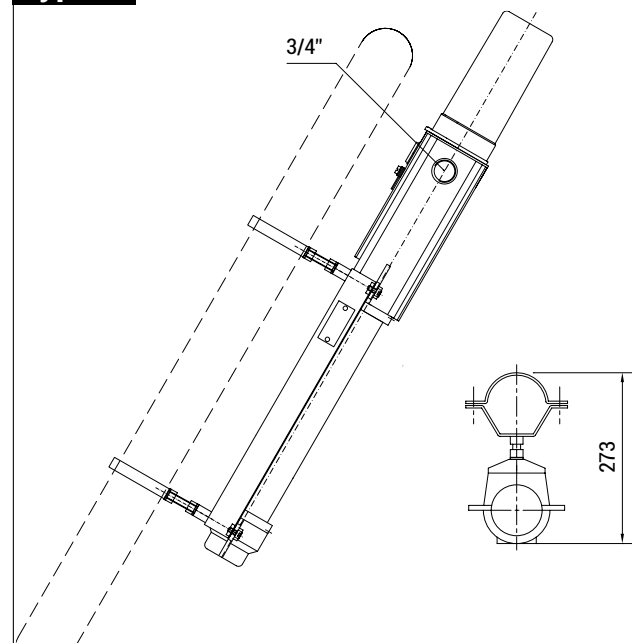
Wall/structure mounting

type 3



Pole mounting Assemblig detail with pole (typical)

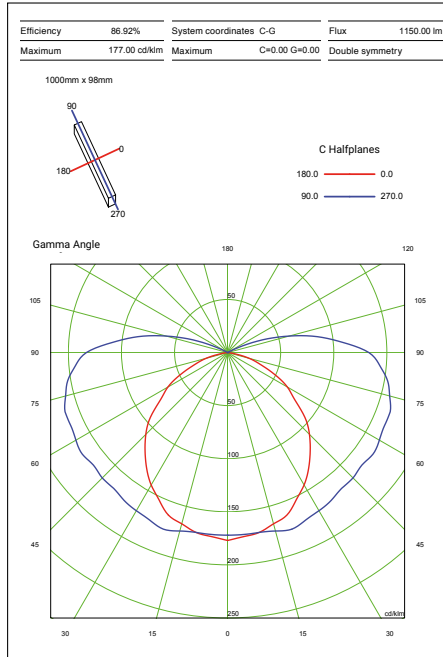
type 4



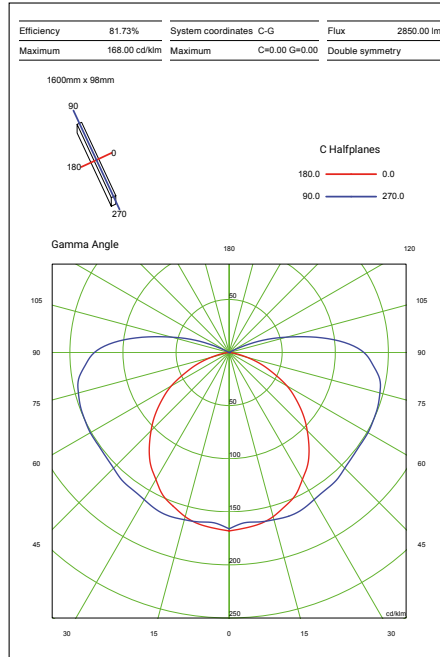


EVF Polar diagrams – photometric data

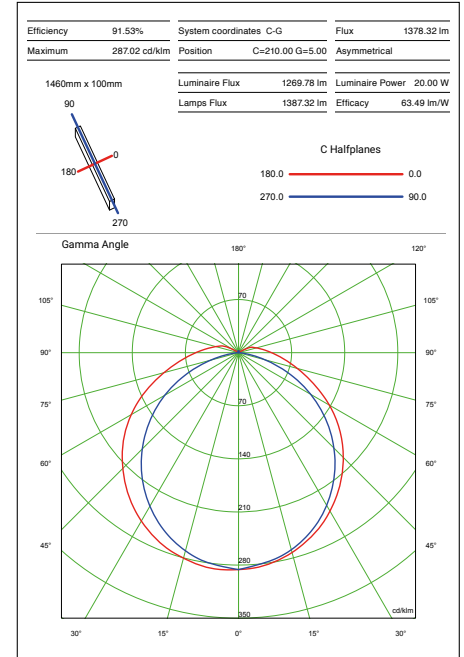
EVF118EL



EVF136EL



EVF120LED



EVF On request accessories

CODE	DESCRIPTION	INSTALLATION	MATERIAL
GABBIAEVFF18	18W SIZE GALVANIZED STEEL WIRE PROTECTION GUARD		GALVANIZED STEEL
GABBIAEVFF36	36W SIZE GALVANIZED STEEL WIRE PROTECTION GUARD		GALVANIZED STEEL
GABBIAEVFF18IX	18W SIZE STAINLESS STEEL WIRE PROTECTION GUARD		STAINLESS STEEL
GABBIAEVFF36IX	36W SIZE STAINLESS STEEL WIRE PROTECTION GUARD		STAINLESS STEEL
D18IX	18W SIZE STAINLESS STEEL REFLECTOR		STAINLESS STEEL
D36IX	36W SIZE STAINLESS STEEL REFLECTOR		STAINLESS STEEL
D58IX	58W SIZE STAINLESS STEEL REFLECTOR		STAINLESS STEEL
20301.0151	SINGLE LAMP CEILING MOUNTING KIT C/W HARDWARE	TYPE 1	ALUMINIUM LIGHT ALLOY
20302.0103	SINGLE LAMP PENDANT MOUNTING KIT C/W HARDWARE	TYPE 2	GALVANIZED STEEL
20302.0128	SINGLE LAMP WALL/STRUCTURE MOUNTING KIT C/W HARDWARE	TYPE 3	GALVANIZED STEEL
20301.0153	SINGLE LAMP POLE MOUNTING KIT (SIZE 1" DIA.) C/W HARDWARE	TYPE 4	GALVANIZED STEEL
20301.0163	SINGLE LAMP POLE MOUNTING KIT (SIZE 1 1/2" DIA.) C/W HARDWARE	TYPE 4	GALVANIZED STEEL

REMARK:

Due to the development of the national and international specifications and of the technology, the above technical characteristics showed on this bulletin can be considered as binding on our confirmation only.