

APPLICATION

Busbar enclosures type SKX ...-/... are intended for connection and junction cables cross section from 35 mm² up to 300 mm², in places with an explosive gas and dust atmosphere.

Busbar enclosures are designed for use in the industrial areas and facilities, indoor and outdoor spaces.

CONSTRUCTION

Enclosure: Stainless steel AISI 316L, 1.5mm

Gasket: EPDM formed gasket

TECHNICAL DATA

Certificate:	EXA 14 ATEX 0002
Marking:	CE 0722
Apparatus category:	II 2G II 2D
Marking of explosion protection:	Ex e IIC T6 Gb Ex tb IIIC T80°C Db
Ambient temperature:	-20°C ÷ +50°C
Degree of protection:	IP 66 category 1
Resistance to shock:	IK 10
Nominal voltage U _n :	690 V AC ±10%
Cable entries:	according to specification
Protection class:	I (protective earthing)

MODEL CODE

SKX xxxxxxxx- . / ...

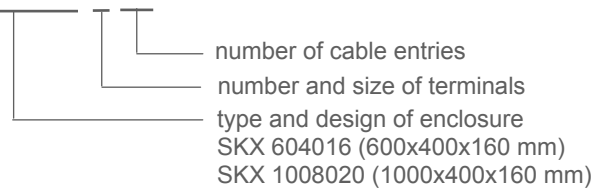
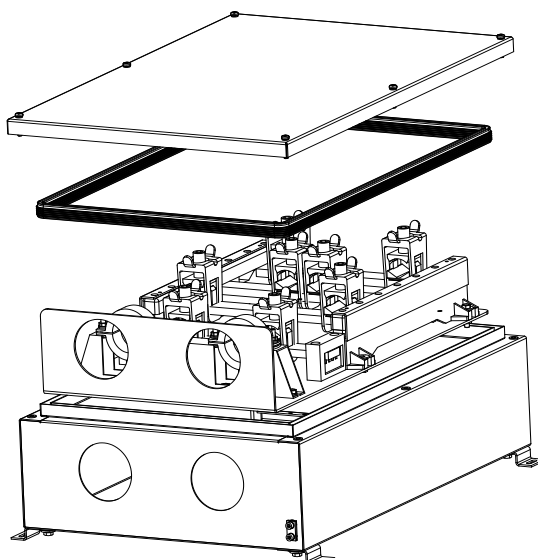
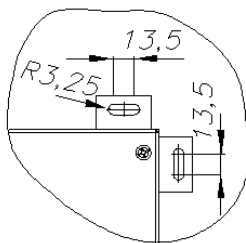
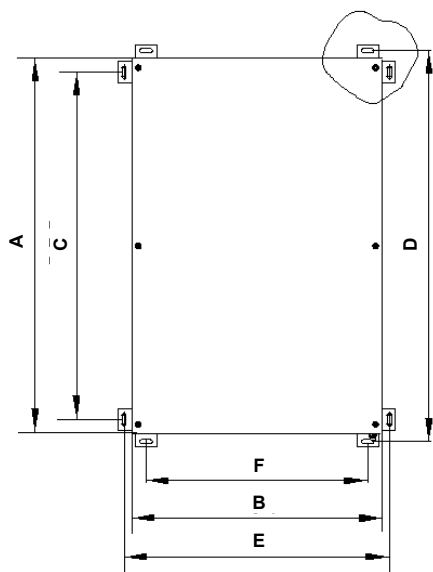


Table of maximum currents:

Terminal	Cross section	t _{amb} -20°C do +40°C	t _{amb} -20°C do +50°C
300mm ²	240 mm ²	400 A	350 A
	185 mm ²	350 A	300 A
185 mm ²	150 mm ²	300 A	250 A
	120 mm ²	250 A	200 A
120 mm ²	95 mm ²	200 A	160 A
	70 mm ²	150 A	125 A
	50 mm ²	125 A	100 A
	35 mm ²	100 A	80 A

DIMENSION [mm]


Type	A [mm]	B [mm]	C [mm]	D [mm]	E [mm]	F [mm]
SKX 604016	800	600	555	622	422	355
SKX 10008020	1000	800	955	1022	822	755

SPARE PARTS AND ACCESSORIES

SKETCH	DESCRIPTION	CODE	SKETCH	DESCRIPTION	CODE
	Cover	SKX 604016/ 10-100		Terminal 35 mm ²	SKX 604016/ 10-170
	Gasket	SKX 604016/ 10-110		Terminal 120 mm ²	SKX 604016/ 10-180
	Cover screw M5x25	SKX 604016/ 10-120		Terminal 185 mm ²	SKX 604016/ 10-190
	Mounting set	SKX 604016/ 10-130		Strain relief set 3/4"	SKX 604016/ 10-200
	Busbar holder PE	SKX 604016/ 10-140		Strain relief set 1"	SKX 604016/ 10-210
	Busbar holder	SKX 604016/ 10-150		Strain relief set 5/4"	SKX 604016/ 10-220
	Busbar Cu 30x10	SKX 604016/ 10-160		Strain relief set 6/4"	SKX 604016/ 10-230