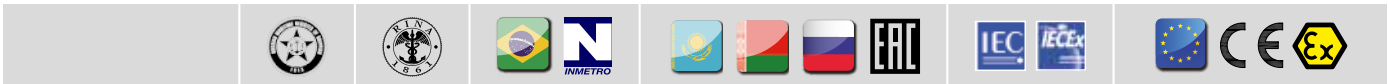




EVAC Lighting fixtures for incandescent and discharge lamps

Installation: hazardous areas - Zone 1 / 2 (Gases) - Zone 21 / 22 (Dusts)

Classification: Group II - Category 2G 2D



REFERENCE STANDARDS

Directive 94/9/EC (until April 19th, 2016) - Directive 2014/34/EU (from April 20th, 2016)

EXECUTION	⊕ II 2 G Ex d IIC T6÷T2 Gb ⊕ II 2 D Ex tb IIIC T85°C-T225°C Db
RULES OF COMPLIANCE	EN/IEC 60079-0; EN/IEC 60079-1; EN/IEC 60079-31
EC Type-Examination Certificate	INERIS 01 ATEX 0054X
PROTECTION DEGREE	IP66
AMBIENT TEMPERATURE	-60°C ÷ +60°C
OTHER AVAILABLE CERTIFICATES	IECEx: IECEx INE 13.0075X INMETRO: CEPEL 14.2311X EAC: TC RU C-IT.ГБ08.В.01342 RINA: ELE18111CS_015 RUSSIAN MARINE CERTIFICATE (RMRS): 13.03516.315

Mechanical characteristics

Body	marine grade copper free aluminium (control gear & lamp body)
Globe	high-temperature resistant borosilicate glass
Painting	external epoxy powders grey RAL-9006 colour
Screws	external stainless steel
Gaskets	silicon rubber
Cable entry	3/4" NPT size threaded
Installation swivel bracket	stainless steel

Electrical characteristics

Power supply (PRC)	conventional ballast 230V - 50Hz (p.f. corrected - $\cos \rho \geq 0,95$)
Lampholders	porcelain E27/E40 size
Internal wiring	high-temperature resistant silicon rubber insulation cables
Terminals	suitable up to 4sq/mm cables (on lighting fixtures with PRC)

On request accessories:

- Ceiling mounting AISI 316L stainless steel kit complete with stainless steel hardware
- Pendant mounting AISI 316L stainless steel kit complete with stainless steel hardware
- Wall/Structure mounting kit complete with stainless steel hardware
- Pole mounting kit 1" - 1 1/2" - 2" dia. complete with stainless steel hardware
- White stove enamelled aluminium reflectors
- Stainless steel reflectors
- External painting colour on request
- Control gear with voltage supply different than standard
- Threaded cable entry different than standard



EVAC Technical data

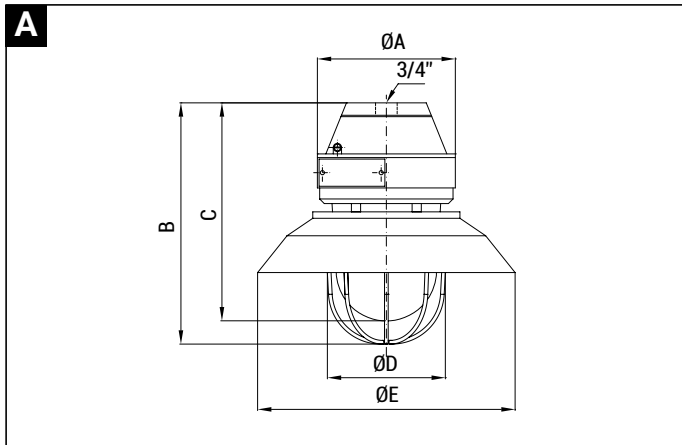
CODE	LAMP	TEMPERATURE CLASS (GAS)	TEMPERATURE CLASS (DUSTS)	LAMPHOLDER SIZE	CABLE ENTRY SIZE	DETAIL
LIGHTING FIXTURE FOR INCANDESCENT LAMPS - POWER SUPPLY 230V-50Hz						
EVAC101	100 W	T4	T 135°C	E-27	1 x 3/4"	A
EVAC100	100 W	T4	T 135°C	E-27	2 x 3/4"	B
EVAC201	200 W	T4 T3	T 135°C T 160°C	E-27	1 x 3/4"	A
EVAC200	200 W	T4 T3	T 135°C T 160°C	E-27	2 x 3/4"	B
EVAC301	300 W	T4 T3	T 135°C T 160°C	E-40	1 x 3/4"	A
EVAC300	300 W	T4 T3	T 135°C T 160°C	E-40	2 x 3/4"	B
EVAC501	500 W	T3	T 160°C T 190°C	E-40	1 x 3/4"	A
EVAC500	500 W	T3	T 160°C T 190°C	E-40	2 x 3/4"	B
LIGHTING FIXTURE FOR HALOGEN LAMP - POWER SUPPLY 230V-50Hz						
EVAC101-100H	100 W	T4	T 135°C	E-27	1 x 3/4"	A
EVAC100-100H	100 W	T4	T 135°C	E-27	2 x 3/4"	B
EVAC201-150H	150 W	T4 T3	T 135°C T 160°C	E-27	1 x 3/4"	A
EVAC200-150H	150 W	T4 T3	T 135°C T 160°C	E-27	2 x 3/4"	B
EVAC301-250H	250 W	T4 T3	T 135°C T 160°C	E-40	1 x 3/4"	A
EVAC300-250H	250 W	T4 T3	T 135°C T 160°C	E-40	2 x 3/4"	B
LIGHTING FIXTURE FOR HIGH PRESSURE MERCURY VAPOUR LAMP - POWER SUPPLY 230V 50Hz						
EVAC101-80HG	80 W	T4 T3	T 135°C T 160°C	E-27	2 x 3/4"	C
EVAC201-125HG	125 W	T3	T 140°C T 160°C	E-27	2 x 3/4"	C
EVAC301-250HG	250 W	T3	T 140°C T 160°C	E-40	2 x 3/4"	C
EVAC501-250HG	250 W	T3	T 160°C T 190°C	E-40	2 x 3/4"	C
EVAC501-400HG	400 W	T3	T 190°C	E-40	2 x 3/4"	C
LIGHTING FIXTURE FOR HIGH PRESSURE SODIUM LAMP - POWER SUPPLY 230V 50Hz						
EVAC101-70HPNA	70 W	T4	T 135°C	E-27	2 x 3/4"	C
EVAC301-100HPNA	100 W	T3	T 140°C T 160°C	E-40	2 x 3/4"	C
EVAC301-150HPNA	150 W	T4	T 135°C	E-40	2 x 3/4"	C
EVAC301-250HPNA	250 W	T3	T 160°C T 190°C	E-40	2 x 3/4"	C
EVAC501-400HPNA	400 W	T3	T 190°C	E-40	2 x 3/4"	C
LIGHTING FIXTURE FOR METAL HALIDE LAMP - POWER SUPPLY 230V 50Hz						
EVAC101-100MH	100 W	T3	T 140°C T 160°C	E-27	2 x 3/4"	C
EVAC301-150MH	150 W	T4 T3	T 135°C T 160°C	E-40	2 x 3/4"	C
EVAC301-250MH	250 W	T3	T 140°C T 160°C	E-40	2 x 3/4"	C
EVAC501-400MH	400 W	T3	T 160°C T 190°C	E-40	2 x 3/4"	C
LIGHTING FIXTURE FOR BLENDED LIGHT LAMP - POWER SUPPLY 230V 50Hz						
EVAC201-160MLL	160 W	T3	T 140°C T 160°C	E-27	1 x 3/4"	A
EVAC200-160MLL	160 W	T3	T 140°C T 160°C	E-27	2 x 3/4"	B
EVAC301-250MLL	250 W	T3	T 160°C T 190°C	E-40	1 x 3/4"	A
EVAC300-250MLL	250 W	T3	T 160°C T 190°C	E-40	2 x 3/4"	B



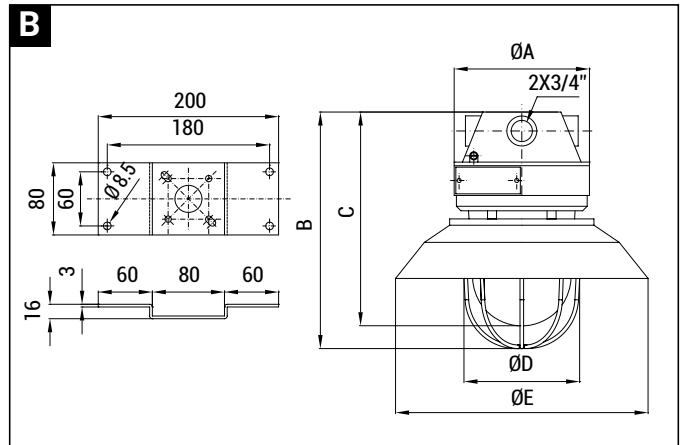
EVAC Technical features

CODE	A [mm]	B [mm]	C [mm]	Ø D [mm]	Ø E [mm]	WIGHT [Kg]	CABLE ENTRY	DETAIL
EVAC101	150	270	236	145	280	2,00	1 x 3/4"	A
EVAC100	150	270	236	145	280	2,00	2 x 3/4"	B
EVAC201	176	280	256	170	345	2,80	1 x 3/4"	A
EVAC200	176	280	256	170	345	2,80	2 x 3/4"	B
EVAC301	197	390	325	190	402	4,50	1 x 3/4"	A
EVAC300	197	390	325	190	402	4,50	2 x 3/4"	B
EVAC501	261	420	389	255	515	7,50	1 x 3/4"	A
EVAC500	261	420	389	255	515	7,50	2 x 3/4"	B

Reference details

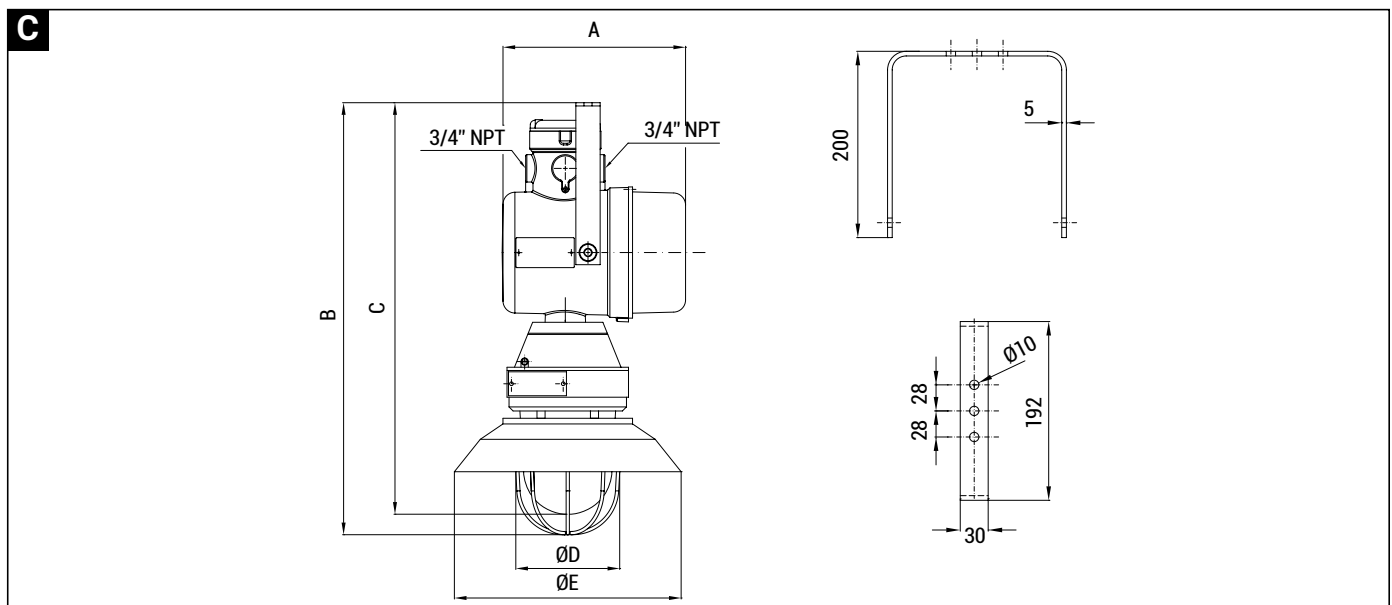


Reference details



CODE	A [mm]	B [mm]	C [mm]	Ø D [mm]	Ø E [mm]	WIGHT [Kg]	CABLE ENTRY	DETAIL
EVAC101-..HG								
EVAC101-..HPNA	227	545	515	145	280	7,00	2 x 3/4"	C
EVAC101-..MH								
EVAC201-..HG	227	565	545	170	345	9,50	2 x 3/4"	C
EVAC201-..HPNA								
EVAC201-..MH								
EVAC301-..HG	227	635	610	290	402	12,00	2 x 3/4"	C
EVAC301-..HPNA								
EVAC301-..MH								
EVAC501-..HG	227	695	670	255	515	15,50	2 x 3/4"	C
EVAC501-..HPNA								
EVAC501-..MH								

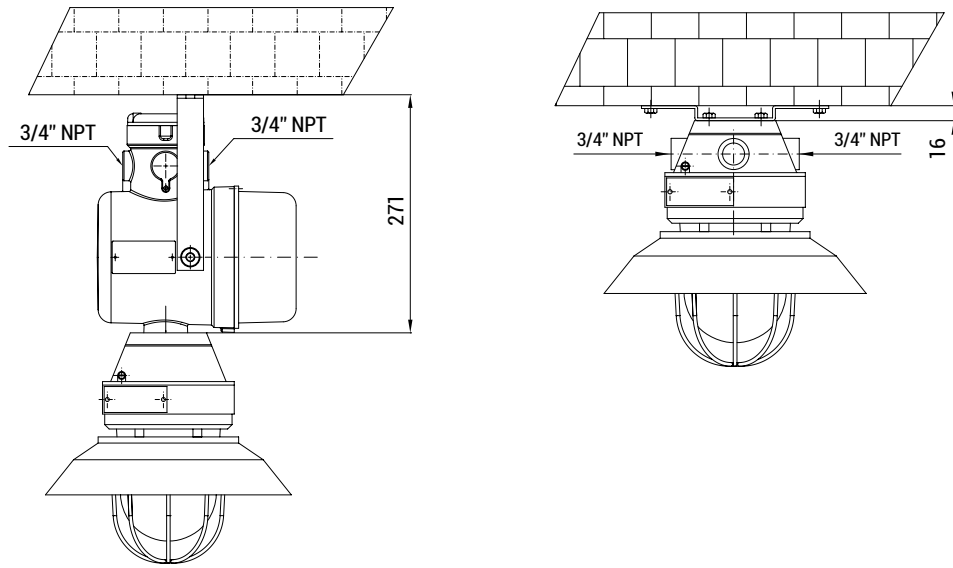
Reference details



EVAC Installation and mounting details

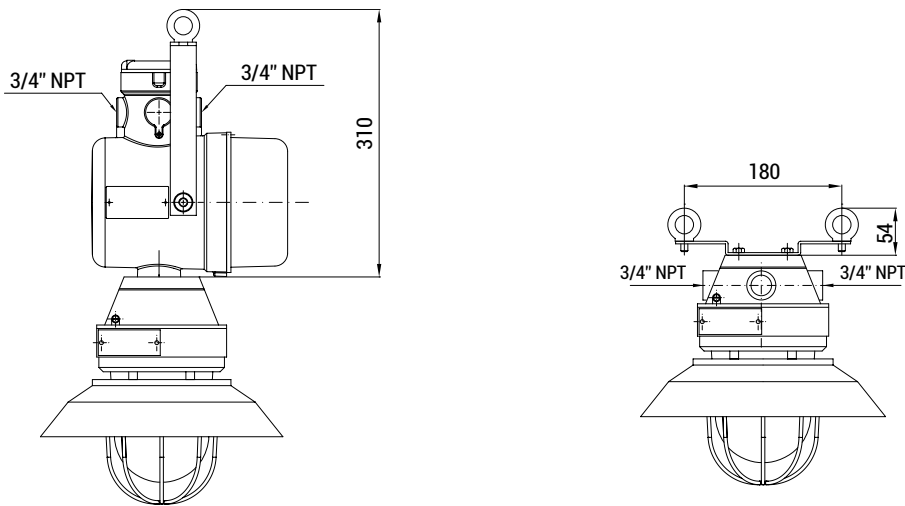
Ceiling mounting

type 1



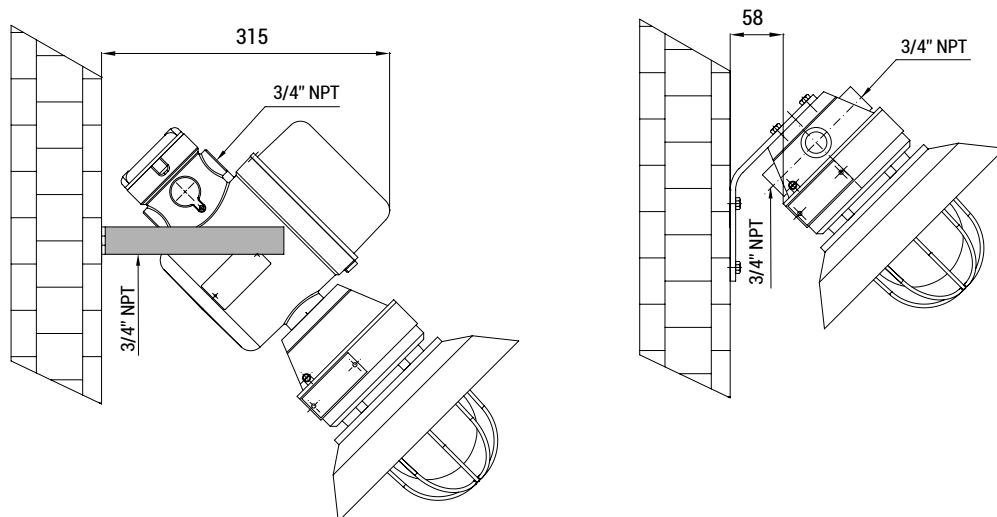
Pendant mounting

type 2



Wall/structure mounting

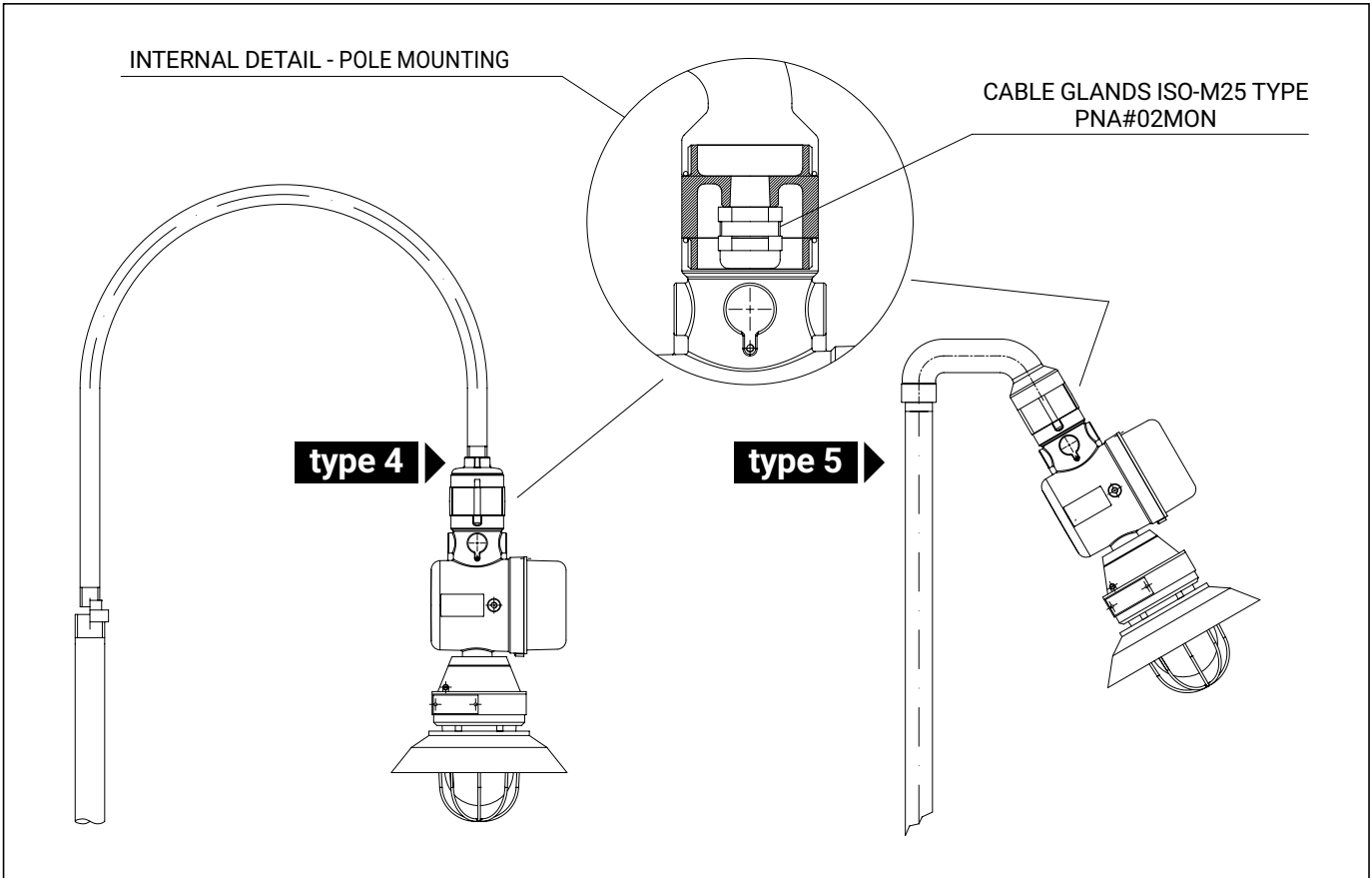
type 3



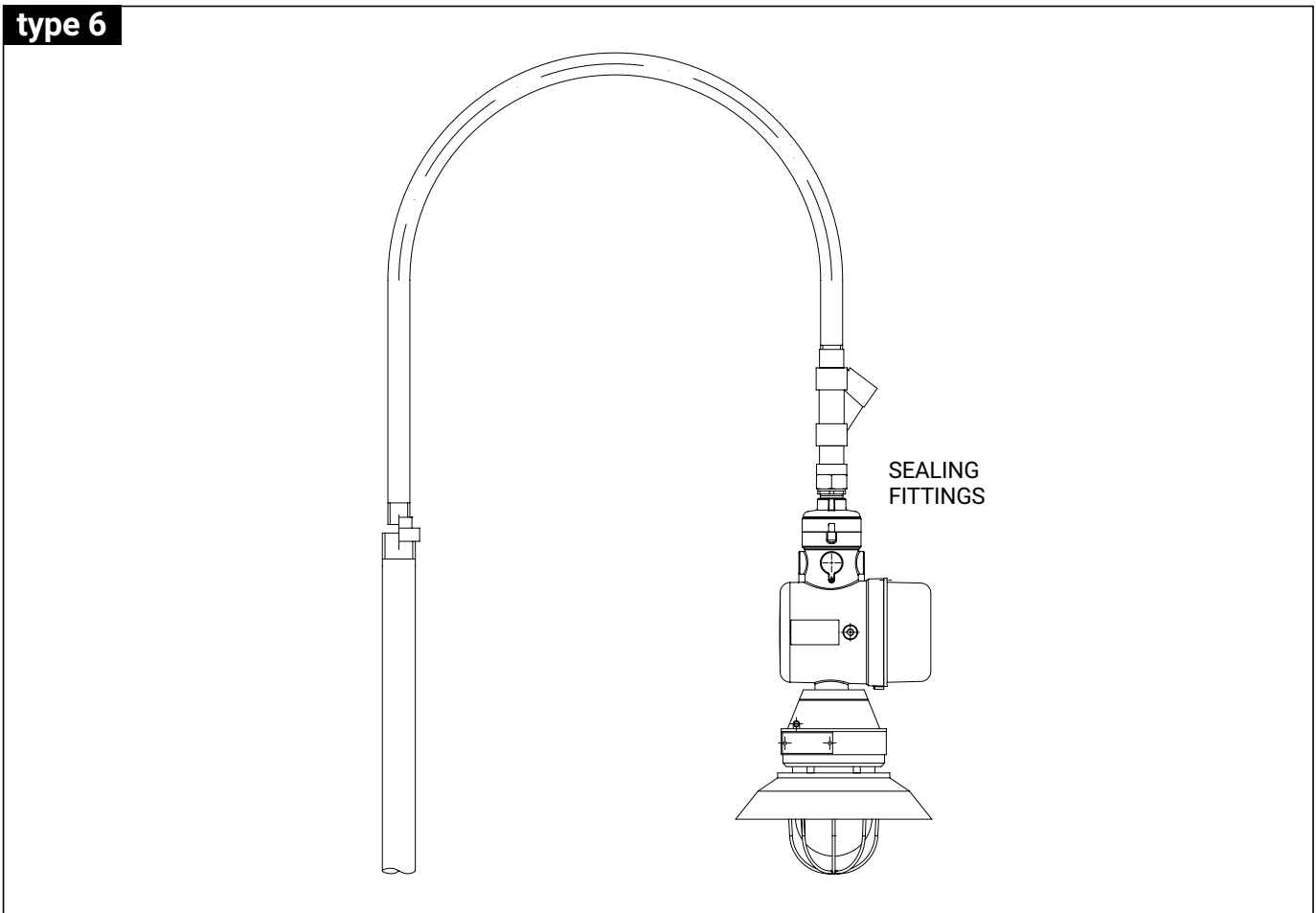


EVAC Installation and mounting details

Pole Mounting – Without add sealing fitting



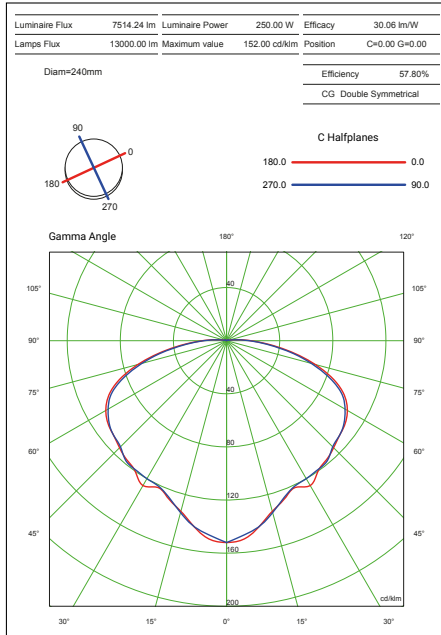
Pole Mounting – With add sealing fitting



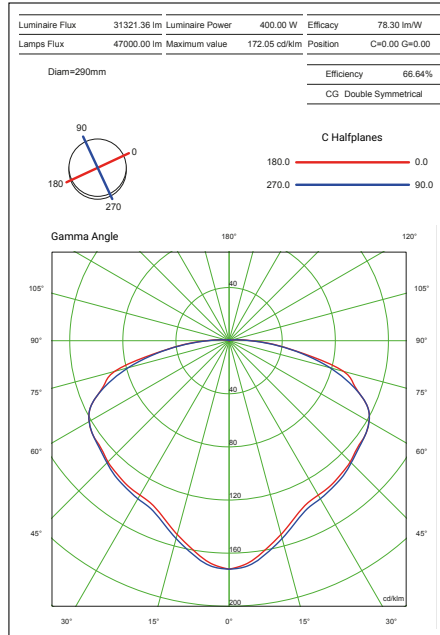


EVAC Polar diagrams – photometric data

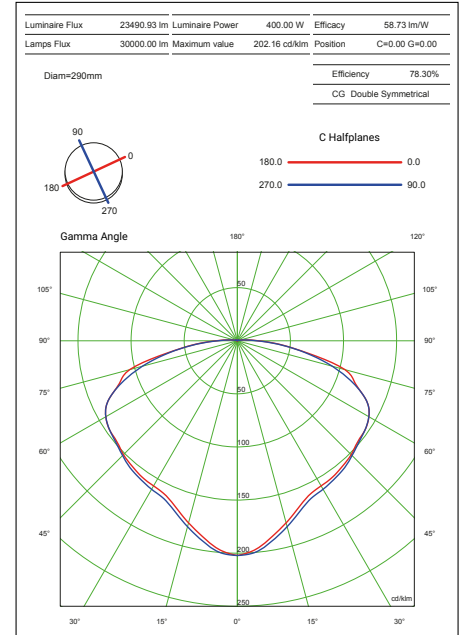
EVAC301-250HG



EVAC501-400HPNA



EVAC501-400MH



EVAC On request accessories

CODE	DESCRIPTION	INSTALLATION	MATERIAL
20302.0070	EVAC 100 / 101 SIZE STANDARD REFLECTOR		WHITE STOVE ENAMELLED ALUMINIUM
20302.0071	EVAC 200 / 201 SIZE STANDARD REFLECTOR		WHITE STOVE ENAMELLED ALUMINIUM
20302.0072	EVAC 300 / 301 SIZE STANDARD REFLECTOR		WHITE STOVE ENAMELLED ALUMINIUM
20302.0073	EVAC 500 / 501 SIZE STANDARD REFLECTOR		WHITE STOVE ENAMELLED ALUMINIUM
20302.0025	EVAC 100 / 101 SIZE STAINLESS STEEL REFLECTOR		STAINLESS STEEL
20302.0026	EVAC 200 / 201 SIZE STAINLESS STEEL REFLECTOR		STAINLESS STEEL
20302.0027	EVAC 300 / 301 SIZE STAINLESS STEEL REFLECTOR		STAINLESS STEEL
20302.0028	EVAC 500 / 501 SIZE STAINLESS STEEL REFLECTOR		STAINLESS STEEL
20302.0074	EVAC 100 / 101 SIZE STANDARD PROTECTION GUARD		GALVANIZED STEEL
20302.0075	EVAC 200 / 201 SIZE STANDARD PROTECTION GUARD		GALVANIZED STEEL
20302.0076	EVAC 300 / 301 SIZE STANDARD PROTECTION GUARD		GALVANIZED STEEL
20302.0077	EVAC 500 / 501 SIZE STANDARD PROTECTION GUARD		GALVANIZED STEEL
20302.0037	EVAC 100 / 101 SIZE STAINLESS STEEL PROTECTION GUARD		STAINLESS STEEL
20302.0038	EVAC 200 / 201 SIZE STAINLESS STEEL PROTECTION GUARD		STAINLESS STEEL
20302.0039	EVAC 300 / 301 SIZE STAINLESS STEEL PROTECTION GUARD		STAINLESS STEEL
20302.0040	EVAC 500 / 501 SIZE STAINLESS STEEL PROTECTION GUARD		STAINLESS STEEL
20302.0078*	CEILING MOUNTING KIT C/W HARDWARE	TYPE 1	STAINLESS STEEL
20302.0103	PENDANT MOUNTING KIT C/W HARDWARE AND EYE-BOLTS	TYPE 2	GALVANIZED STEEL
20302.0079*	45° WALL/STRUCTURE MOUNTING KIT C/W HARDWARE	TYPE 3	GALVANIZED STEEL
20301.0171	POLE MOUNTING KIT - WITHOUT SEALING FITTINGS	TYPE 4	ALUMINIUM
20303.0124 + 20301.0169	25° POLE MOUNTING KIT WITH BRACKET - WITHOUT SEALING FITTINGS	TYPE 5	ALUMINIUM
	POLE MOUNTING KIT - WITH SEALING FITTINGS (EYS2 + NP2 + RMF2)	TYPE 6	ALUMINIUM

* only for lighting fixtures shown on reference details A - B

REMARK:

Due to the development of the national and international specifications and of the technology, the above technical characteristics showed on this bulletin can be considered as binding on our confirmation only.