

LIGHTING FIXTURES FOR FLUORESCENT LAMPS

Explosion Proof Electrical Equipment

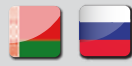


Ex Lighting

EVAC-FL

Installation: hazardous areas - Zone 1 / 2 (Gases) - Zone 21 / 22 (Dusts)
Classification: Group II - Category 2G 2D

EVAC-FL



	LIGHTING FIXTURE / CONTROL GEAR				
	ATEX 94/9/EC	IEC Ex	INMETRO	GOST-R (RTR/RTN)	GOST-K
EXECUTION	⊕ II 2 G Ex d IIC T6 Gb ⊕ 2 G Ex tb IIIC T80°C Db	Ex d IIC T6 Gb Ex tb IIIC T80°C Db	Ex d IIC T6 Gb Ex tb IIIC T80°C Db	1Ex d IIC T6 X DIP A21 Ta (80)°C	1Ex d IIC T6 X DIP A21 Ta (80)°C
AMBIENT TEMPERATURE	-60°C ÷ +60°C	-60°C ÷ +60°C	-60°C ÷ +60°C	-60°C ÷ +60°C	-60°C ÷ +60°C
PROTECTION DEGREE	IP66	IP66	IP66	IP66	IP66
CERTIFICATE REF.	INERIS 01 ATEX 0054X	-	-	POCC IT. ME92.B02923	No. 07/43-269
RULES OF COMPLIANCE	EN 60079-0:2009; EN 60079-1:2007; EN 60079-7:2008; EN 60079-31:2009	IEC 60079-0:2007; IEC 60079-1:2007; IEC 60079-31:2008	ABNT NBR IEC 60079-0:2007-10; ABNT NBR IEC 60079-1:2007-04; ABNT NBR IEC 61242-31:2008-11	ГОСТ Р МЭК 60079-0:2011; ГОСТ Р МЭК 61241-0:2007; ГОСТ Р МЭК 61241-1:2004;	ГОСТ Р 51330.0/1/8/14-99; ГОСТ Р МЭК 61241-1-1-2002

Mechanical characteristics

Body	marine grade copper free aluminium (control gear & lamp body)
Globe	high-temperature resistant borosilicate glass
Painting	external epoxy powders grey RAL-9006 colour
Screws	external stainless steel
Gaskets	silicon rubber
Cable entry	3/4" NPT size threaded
Installation swivel bracket	AISI 316L stainless steel

Electrical characteristics

Power supply (prc)	electronic ballast 220V/240V - 50/60Hz (p.f.corrected - cos ρ ≥ 0,98)
Lampholders	porcelain E27 size - plastic 2G10 size
Internal wiring	high-temperature resistant silicon rubber insulation cables
Terminals	suitable up to 4sq/mm cables (on lighting fixtures with PRC)

ON REQUEST ACCESSORIES:

- Ceiling mounting AISI 316L stainless steel kit complete with stainless steel hardware
- Pendant mounting AISI 316L stainless steel kit complete with stainless steel hardware
- Wall/structure mounting kit complete with stainless steel hardware
- Galvanized steel wire protection guard
- Stainless steel wire protection guard
- White stove enamelled aluminium reflectors
- Stainless steel reflectors
- External painting colour on request
- Electronic ballast with voltage supply different than standard
- Lighting fixtures in execution Ex de

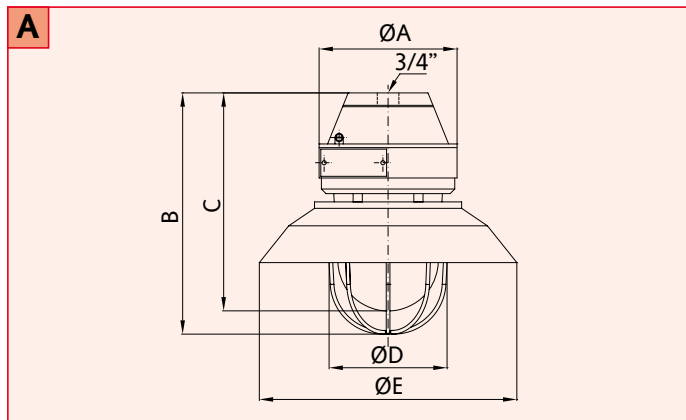
EVAC-FL Technical data

CODE	LAMP	TEMPERATURE CLASS (GAS)	TEMPERATURE CLASS (DUSTS)	LAMPHOLDER SIZE	CABLE ENTRY SIZE	DETAIL
LIGHTING FIXTURES FOR FLUORESCENT LAMPS - POWER SUPPLY 220V/240V - 50/60Hz						
EVAC101-15FL	1 x 15W	T6	T 80°C	E-27	1 x 3/4"	A
EVAC100-15FL	1 x 15W	T6	T 80°C	E-27	2 x 3/4"	B
EVAC201-23FL	1 x 23W	T6	T 80°C	E-27	1 x 3/4"	A
EVAC301-218FL	2 x 18W	T6	T 80°C	2G-10	2 x 3/4"	C
EVAC301-318FL	3 x 18W	T6	T 80°C	2G-10	2 x 3/4"	C
EVAC501-236FL	2 x 36W	T6	T 80°C	2G-10	2 x 3/4"	C
EVAC501-336FL	3 x 36W	T6	T 80°C	2G-10	2 x 3/4"	C

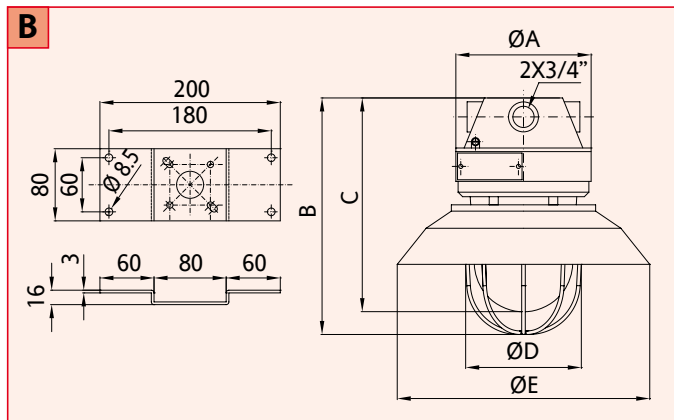
EVAC-FL Technical features

CODE	A [mm]	B [mm]	C [mm]	Ø D [mm]	Ø E [mm]	WEIGHT [Kg]	CABLE ENTRY	DETAIL
EVAC101-15FL	150	270	235	145	280	3,5	1 x 3/4"	A
EVAC100-15FL	150	270	235	145	280	3,5	2 x 3/4"	B
EVAC201-23FL	175	270	255	170	345	4	1 x 3/4"	A
EVAC301-218FL	225	605	590	190	395	12	2 x 3/4"	C
EVAC301-318FL	225	605	590	190	395	12	2 x 3/4"	C
EVAC501-236FL	225	648	620	255	515	15,5	2 x 3/4"	C
EVAC501-336FL	225	648	620	255	515	15,5	2 x 3/4"	C

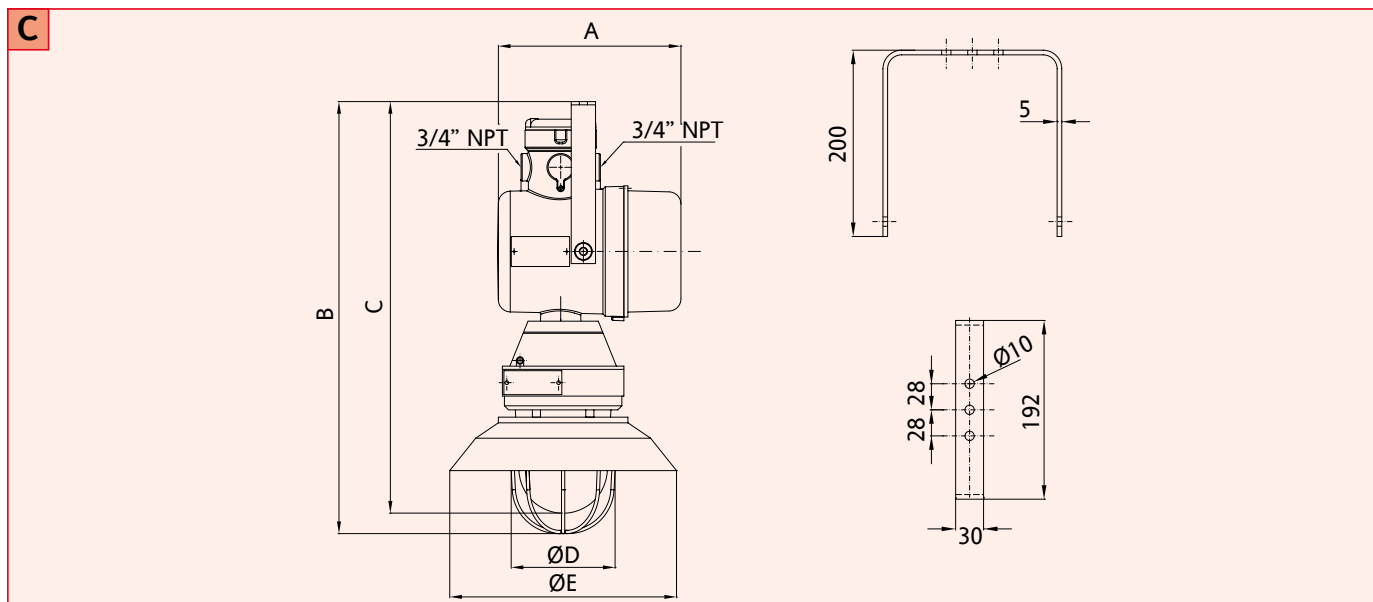
Reference details



Reference details



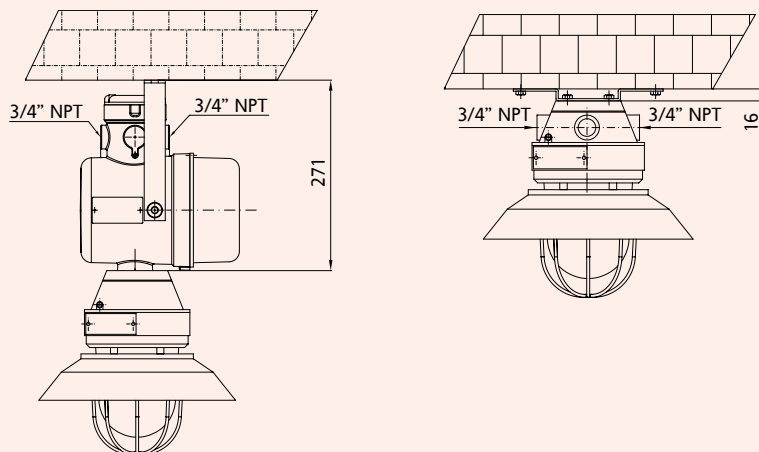
Reference details



EVAC-FL Installation and mounting details

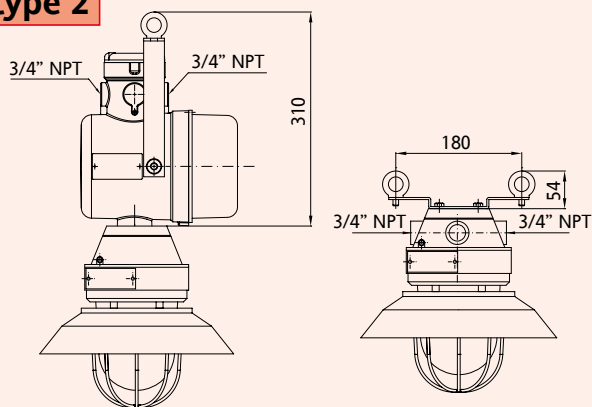
Ceiling mounting

type 1



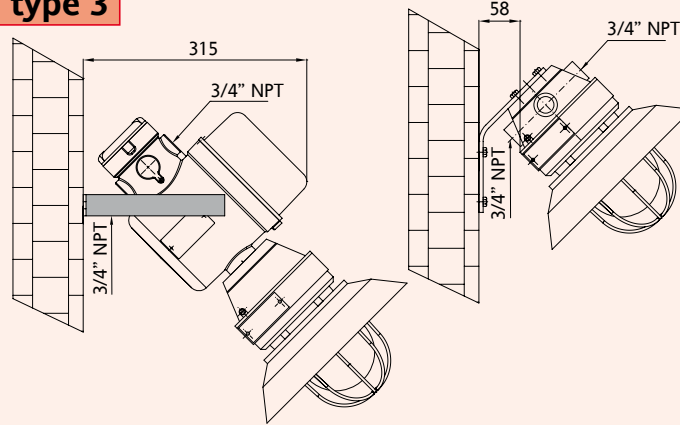
Pendant mounting

type 2



Wall/structure mounting

type 3



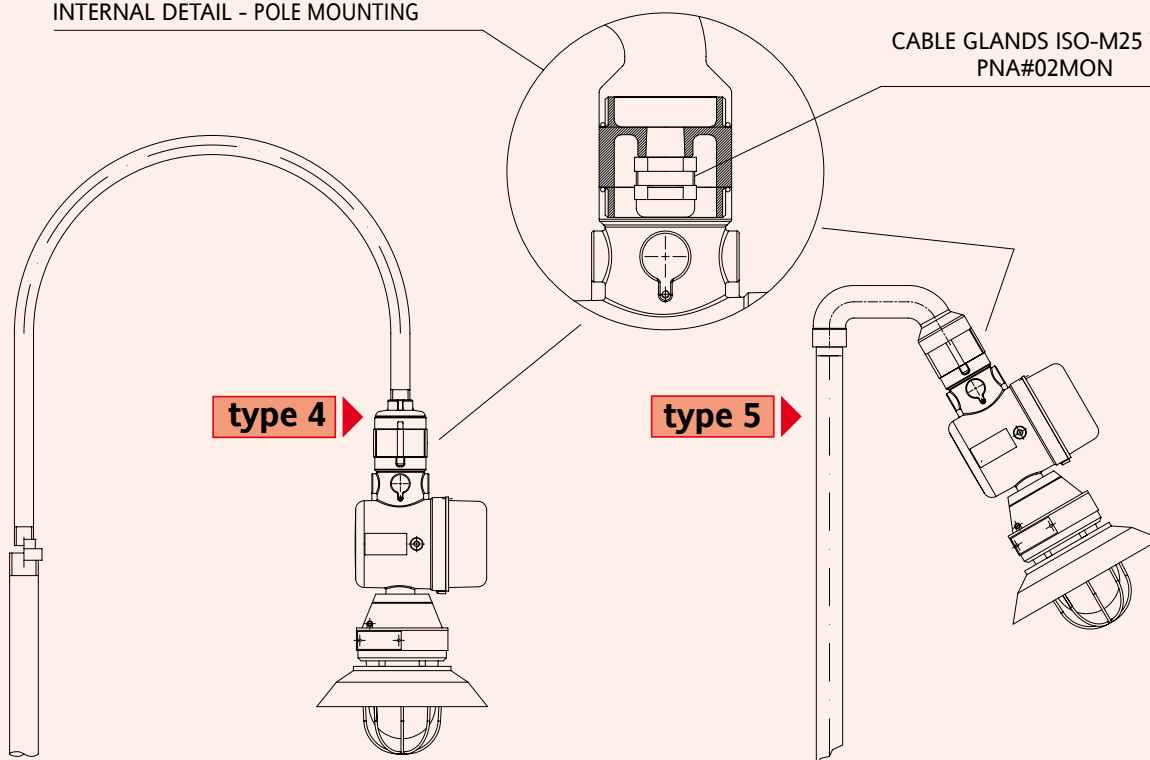
Pole Mounting – Without add sealing fitting

INTERNAL DETAIL - POLE MOUNTING

CABLE GLANDS ISO-M25 TYPE PNA#02MON

type 4

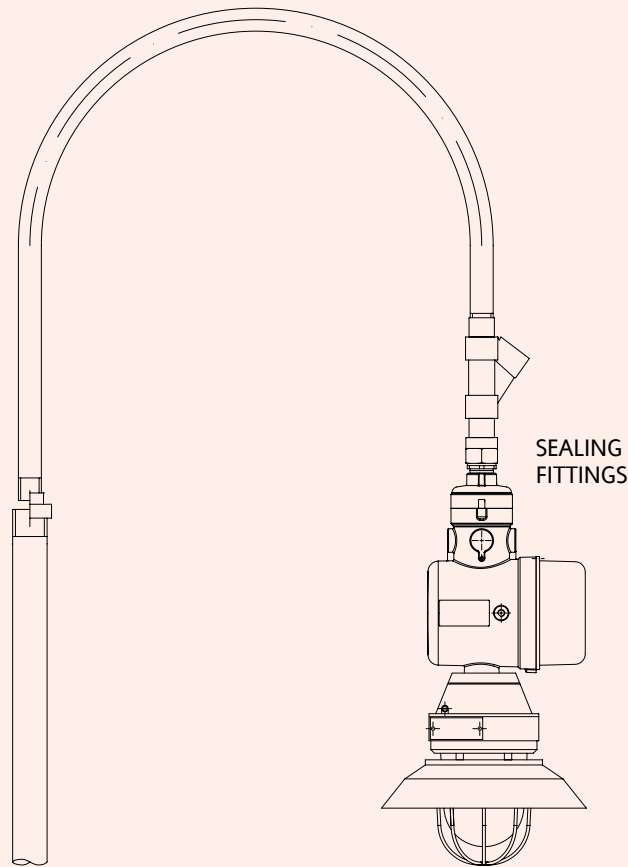
type 5



EVAC-FL Installation and mounting details

Pole Mounting – With add sealing fitting

type 6



EVAC-FL On request accessories

CODE	DESCRIPTION	INSTALLATION	MATERIAL
20302.0070	EVAC 100 / 101 SIZE STANDARD REFLECTOR		WHITE STOVE ENAMELLED ALUM.
20302.0071	EVAC 200 / 201 SIZE STANDARD REFLECTOR		WHITE STOVE ENAMELLED ALUM.
20302.0072	EVAC 300 / 301 SIZE STANDARD REFLECTOR		WHITE STOVE ENAMELLED ALUM.
20302.0073	EVAC 500 / 501 SIZE STANDARD REFLECTOR		WHITE STOVE ENAMELLED ALUM.
20302.0025	EVAC 100 / 101 SIZE STAINLESS STEEL REFLECTOR		STAINLESS STEEL
20302.0026	EVAC 200 / 201 SIZE STAINLESS STEEL REFLECTOR		STAINLESS STEEL
20302.0027	EVAC 300 / 301 SIZE STAINLESS STEEL REFLECTOR		STAINLESS STEEL
20302.0028	EVAC 500 / 501 SIZE STAINLESS STEEL REFLECTOR		STAINLESS STEEL
20302.0074	EVAC 100 / 101 SIZE STANDARD PROTECTION GUARD		GALVANIZED STEEL
20302.0075	EVAC 200 / 201 SIZE STANDARD PROTECTION GUARD		GALVANIZED STEEL
20302.0076	EVAC 300 / 301 SIZE STANDARD PROTECTION GUARD		GALVANIZED STEEL
20302.0077	EVAC 500 / 501 SIZE STANDARD PROTECTION GUARD		GALVANIZED STEEL
20302.0037	EVAC 100 / 101 SIZE STAINLESS STEEL PROTECTION GUARD		STAINLESS STEEL
20302.0038	EVAC 200 / 201 SIZE STAINLESS STEEL PROTECTION GUARD		STAINLESS STEEL
20302.0039	EVAC 300 / 301 SIZE STAINLESS STEEL PROTECTION GUARD		STAINLESS STEEL
20302.0040	EVAC 500 / 501 SIZE STAINLESS STEEL PROTECTION GUARD		STAINLESS STEEL
20302.0078	CEILING MOUNTING KIT C/W HARDWARE	TYPE 1	AISI 316L STAINLESS STEEL
20302.0079	WALL/STRUCTURE MOUNTING KIT C/W HARDWARE	TYPE 3	AISI 316L STAINLESS STEEL
20302.0082	PENDANT MOUNTING KIT C/W HARDWARE AND EYE-BOLTS	TYPE 2	AISI 316L STAINLESS STEEL
	POLE MOUNTING KIT WITHOUT SEALING FITTINGS	TYPE 4	ALUMINIUM
	25° POLE MOUNTING KIT WITHOUT SEALING FITTINGS	TYPE 5	ALUMINIUM
	POLE MOUNTING KIT WITH SEALING FITTINGS	TYPE 6	ALUMINIUM

REMARK:

Due to the development of the national and international specifications and of the technology, the above technical characteristics showed on this bulletin can be considered as binding on our confirmation only.