



### APPLICATION

Ex stainless steel terminal boxes are intended for carrying and distributing electrical power in places with an explosive gas and dust atmosphere. The SS terminal boxes are designed for use in the industrial areas and facilities, indoor and outdoor spaces.

### CONSTRUCTION

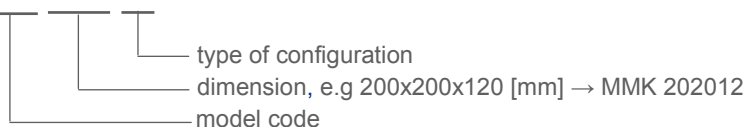
Enclosure: Stainless steel AISI 316L, brush finished, thickness 1.5mm  
Gasket: EPDM formed gasket

### TECHNICAL DATA

Certificate:	EXA 13 ATEX 0053U
Marking:	CE 0722
Apparatus category:	II 2G II 2D
Marking of explosion protection:	Ex e II T6, Ex e ia IIC T6, Ex ia IIC T6 tD A21 T80°C
Ambient temperature:	-40°C ≤ T <sub>a</sub> ≤ +50°C
Degree of protection:	IP 66 category 1
Resistance to shock:	IK 10
Protective class:	I (protective earthing)
Cable entries:	according to specification
Protection class:	I (protective earthing)

### MODEL CODE (for empty enclosure)

MMK .. ... / ..



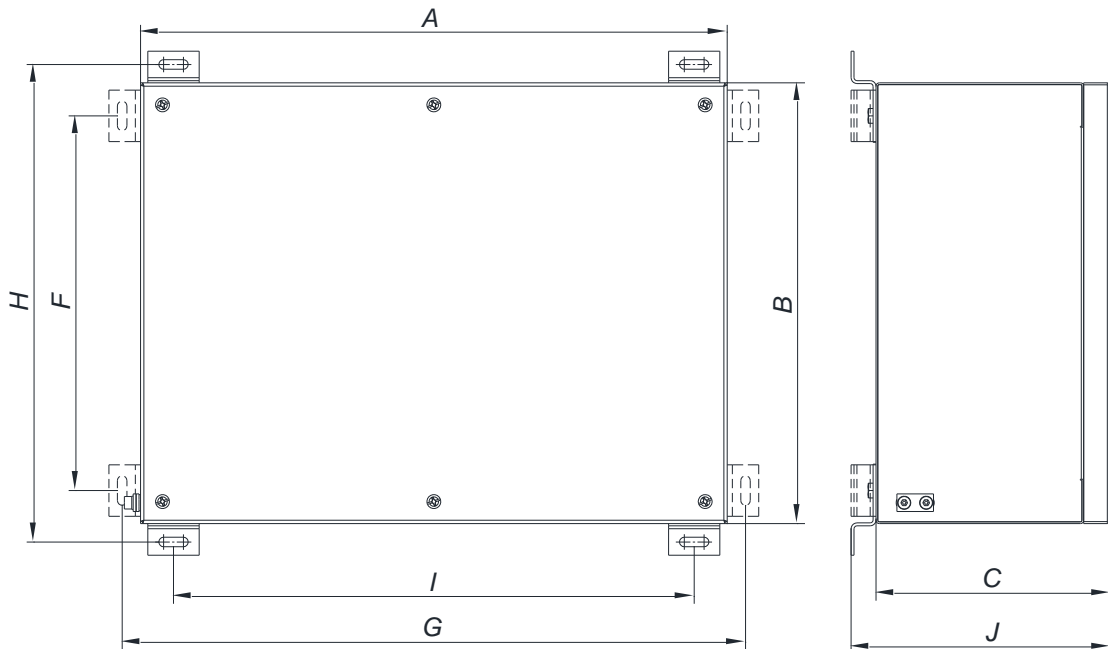


EXA 13 ATEX 0053U

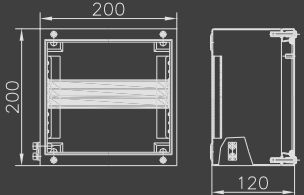
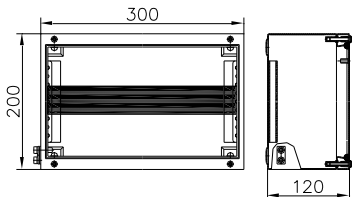


## DIMENSION [mm]

MMK	A	B	C	F	G	H	I	J	[kg]
202012	200	200	120	152	225	222	155	138	2,8
302012	300	200	120	152	325	322	255	138	3,1
302016	300	200	160	152	325	322	255	178	3,8
402012	400	200	120	152	425	422	355	138	4,8
402016	400	200	160	152	425	422	355	178	5
403012	400	300	120	252	425	422	355	138	5,4
403016	400	300	160	252	425	422	355	178	5,8
602012	600	200	120	152	625	622	555	138	5,6
602016	600	200	160	152	625	622	555	178	7,1
604016	600	400	160	352	625	622	555	178	12,1

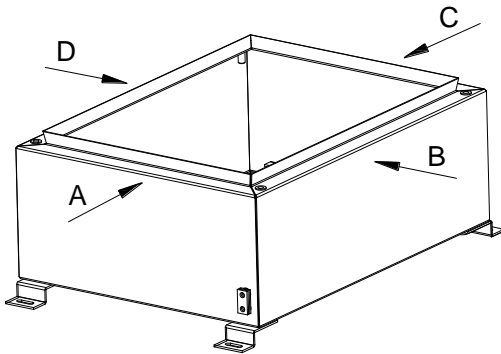


## Terminal boxes up to 35 mm<sup>2</sup>

		Max. number of terminals					
Cross section [mm <sup>2</sup> ]		2.5	4	6	10	16	35
TYPE	Max. current [A]	16	20	25	35	50	80
SKX 202012		30	25	19	15	12	-
SKX 302012		50	42	31	25	21	16
SKX 402012		70	58	44	35	29	22
SKX 403016		140	116	88	70	58	44
SKX 602012		110	92	69	56	46	34



## Max. number of possible entries of the enclosures



TYPE Dimension	SKX 202012 200X200X120				SKX 302012 300X200X120				SKX 402012 400X200X120				SKX 403016 400X300X160				SKX 602012 600X200X120			
	A	B	C	D	A	B	C	D	A	B	C	D	A	B	C	D	A	B	C	D
Cable gland																				
M20x1.5	6	8	6	8	6	12	6	12	6	18	6	18	15	30	15	30	6	24	6	24
M25x1.5	4	6	4	6	4	10	4	10	4	16	4	16	14	24	14	24	4	20	4	20
M32x1.5	3	4	3	4	3	7	3	7	3	10	3	10	8	14	8	14	3	14	3	14
M40x1.5	2	3	2	3	2	4	2	4	2	6	2	6	6	10	6	10	2	8	2	8
M50x1.5	-	-	-	-	1	2	1	2	1	3	1	3	3	4	3	4	1	4	1	4
M60x1.5	-	-	-	-	-	-	-	-	-	-	-	-	2	3	2	3	-	-	-	-